

Chapter 16, Problem 1.

Determine $i(t)$ in the circuit of Fig. 16.35 by means of the Laplace transform.

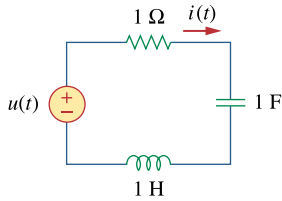
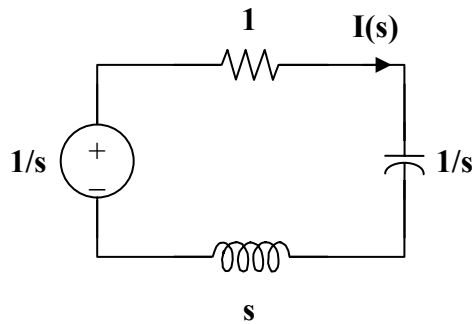


Figure 16.35
For Prob. 16.1.

Chapter 16, Solution 1.

Consider the s-domain form of the circuit which is shown below.



$$I(s) = \frac{1/s}{1 + s + 1/s} = \frac{1}{s^2 + s + 1} = \frac{1}{(s + 1/2)^2 + (\sqrt{3}/2)^2}$$

$$i(t) = \frac{2}{\sqrt{3}} e^{-t/2} \sin\left(\frac{\sqrt{3}}{2} t\right)$$

$$i(t) = \underline{\underline{1.155 e^{-0.5t} \sin(0.866t) \text{ A}}}$$

Chapter 16, Problem 2.

Find v_x in the circuit shown in Fig. 16.36 given $v_s = 4u(t)$ V.

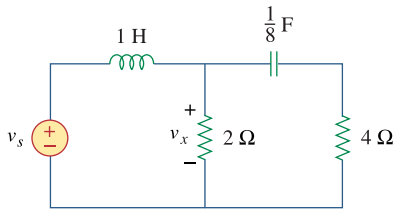
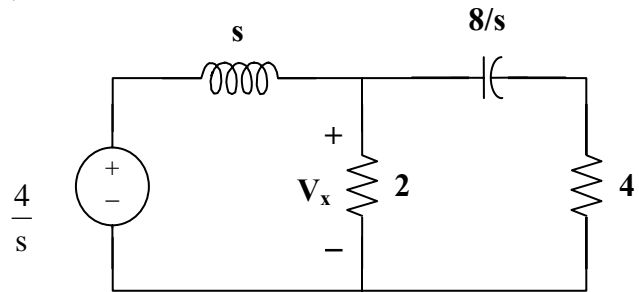


Figure 16.36
For Prob. 16.2.

Chapter 16, Solution 2.



$$\frac{V_x - \frac{4}{s}}{s} + \frac{V_x - 0}{2} + \frac{V_x - 0}{4 + \frac{8}{s}} = 0$$

$$V_x(4s + 8) - \frac{(16s + 32)}{s} + (2s^2 + 4s)V_x + s^2V_x = 0$$

$$V_x(3s^2 + 8s + 8) = \frac{16s + 32}{s}$$

$$V_x = -16 \frac{s + 2}{s(3s^2 + 8s + 8)} = -16 \left(\frac{0.25}{s} + \frac{-0.125}{s + \frac{4}{3} + j\frac{\sqrt{8}}{3}} + \frac{-0.125}{s + \frac{4}{3} - j\frac{\sqrt{8}}{3}} \right)$$

$$v_x = \underline{(-4 + 2e^{-(1.3333 + j0.9428)t} + 2e^{-(1.3333 - j0.9428)t})u(t) \text{ V}}$$

$$v_x = \underline{4u(t) - e^{-4t/3} \cos\left(\frac{2\sqrt{2}}{3}t\right) - \frac{6}{\sqrt{2}}e^{-4t/3} \sin\left(\frac{2\sqrt{2}}{3}t\right) \text{ V}}$$

Chapter 16, Problem 3.

Find $i(t)$ for $t > 0$ for the circuit in Fig. 16.37. Assume $i_s = 4u(t) + 2\delta(t)$ mA. (Hint: Can we use superposition to help solve this problem?)

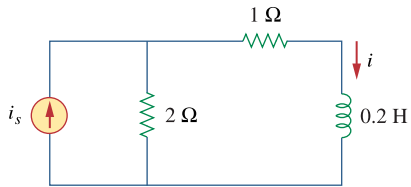
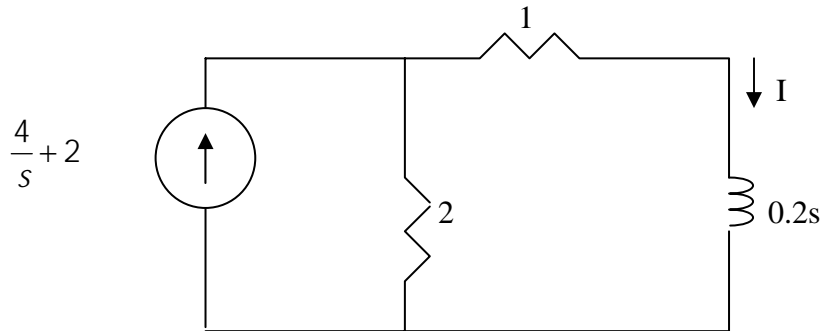


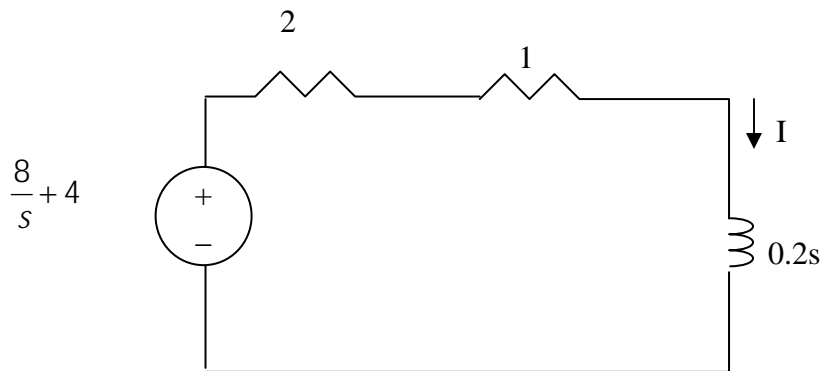
Figure 16.37
For Prob. 16.3.

Chapter 16, Solution 3.

In the s-domain, the circuit becomes that shown below.



We transform the current source to a voltage source and obtain the circuit shown below.



$$I = \frac{\frac{8}{s} + 4}{3 + 0.2s} = \frac{20s + 40}{s(s + 15)} = \frac{A}{s} + \frac{B}{s + 15}$$

$$A = \frac{40}{15} = \frac{8}{3}, \quad B = \frac{-15 \times 20 + 40}{-15} = \frac{52}{3}$$

$$I = \frac{8/3}{s} + \frac{52/3}{s + 15}$$

$$i(t) = \left[\frac{8}{3} + \frac{52}{3} e^{-15t} \right] u(t)$$

Chapter 16, Problem 4.

The capacitor in the circuit of Fig. 16.38 is initially uncharged. Find $v_o(t)$ for $t > 0$.

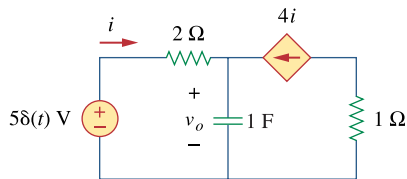
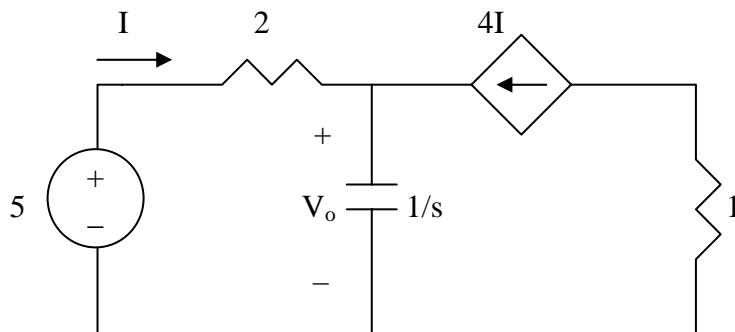


Figure 16.38
For Prob. 16.4.

Chapter 16, Solution 4.

The circuit in the s-domain is shown below.



$$I + 4I = \frac{V_o}{1/s} \quad \longrightarrow \quad 5I = sV_o$$

$$\text{But } I = \frac{5 - V_o}{2}$$

$$5\left(\frac{5 - V_o}{2}\right) = sV_o \quad \longrightarrow \quad V_o = \frac{12.5}{s + 5/2}$$

$$v_o(t) = \underline{12.5e^{-2.5t} \text{ V}}$$

Chapter 16, Problem 5.

If $i_s(t) = e^{-2t} u(t)$ A in the circuit shown in Fig. 16.39, find the value of $i_o(t)$.

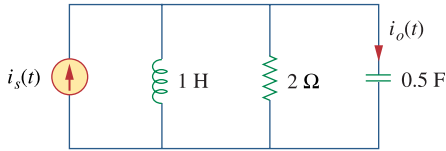
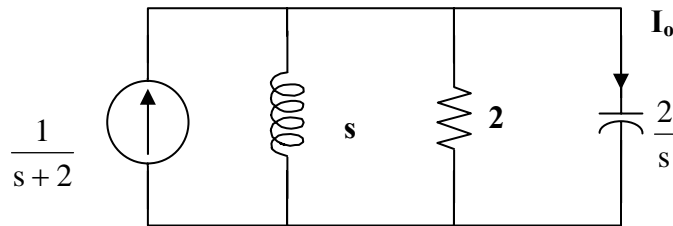


Figure 16.39

For Prob. 16.5.

Chapter 16, Solution 5.



$$V = \frac{1}{s+2} \left(\frac{1}{\frac{1}{s} + \frac{1}{2} + \frac{s}{2}} \right) = \frac{1}{s+2} \left(\frac{2s}{s^2 + s + 2} \right) = \frac{2s}{(s+2)(s+0.5 + j1.3229)(s+0.5 - j1.3229)}$$

$$I_o = \frac{Vs}{2} = \frac{s^2}{(s+2)(s+0.5 + j1.3229)(s+0.5 - j1.3229)}$$

$$= \frac{1}{s+2} + \frac{(-0.5 - j1.3229)^2}{(1.5 - j1.3229)(-j2.646)(s+0.5 + j1.3229)} + \frac{(-0.5 + j1.3229)^2}{(1.5 + j1.3229)(+j2.646)(s+0.5 - j1.3229)}$$

$$i_o(t) = \left(e^{-2t} + 0.3779e^{-90^\circ} e^{-t/2} e^{-j1.3229t} + 0.3779e^{90^\circ} e^{-t/2} e^{j1.3229t} \right) u(t) \text{ A}$$

or

$$= \left(e^{-2t} - 0.7559 \sin 1.3229t \right) u(t) \text{ A}$$

$$\text{or } i_o(t) = \left(e^{-2t} - \frac{2}{\sqrt{7}} \sin \left(\frac{\sqrt{7}}{2} t \right) \right) u(t) \text{ A}$$

Chapter 16, Problem 6.

Find $v(t)$, $t > 0$ in the circuit of Fig. 16.40. Let $v_s = 20$ V.

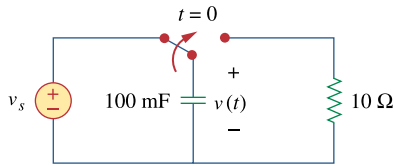


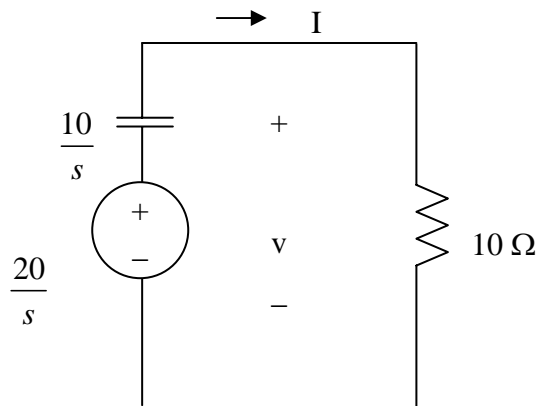
Figure 16.40

For Prob. 16.6.

Chapter 16, Solution 6.

For $t < 0$, $v(0) = v_s = 20$ V

For $t > 0$, the circuit in the s-domain is as shown below.



$$100\text{mF} = 0.1\text{F} \quad \longrightarrow \quad \frac{1}{sC} = \frac{10}{s}$$

$$I = \frac{20/s}{10 + 10/s} = \frac{2}{s+1}$$

$$V = 10I = \frac{20}{s+1}$$

$$v(t) = \underline{20e^{-t}u(t)}$$

Chapter 16, Problem 7.

Find $v_o(t)$, for all $t > 0$, in the circuit of Fig. 16.41.

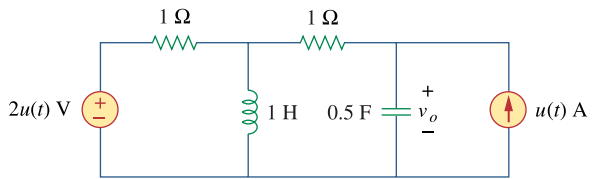
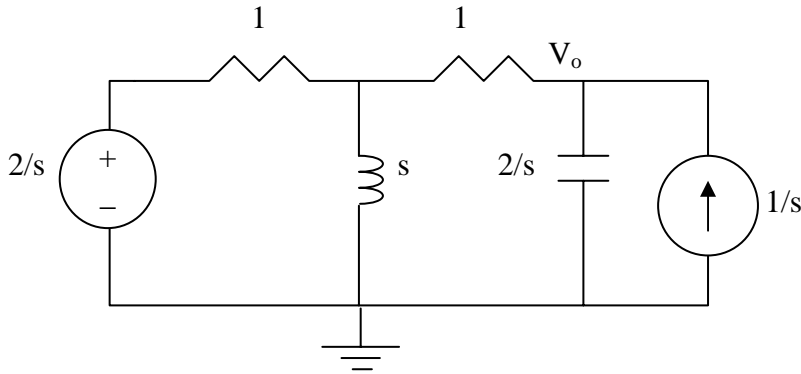


Figure 16.41
For Prob. 16.7.

Chapter 16, Solution 7.

The circuit in the s-domain is shown below. Please note, $i_L(0) = 0$ and $v_o(0) = 0$ because both sources were equal to zero for all $t < 0$.



At node 1

$$\frac{2/s - V_1}{1} = \frac{V_1}{s} + \frac{V_1 - V_o}{1} \longrightarrow \frac{2}{s} = V_1(2 + 1/s) - V_o \quad (1)$$

At node O,

$$\frac{V_1 - V_o}{1} + \frac{1}{s} = \frac{V_o}{2/s} = \frac{s}{2}V_o \longrightarrow V_1 = (1 + s/2)V_o - 1/s \quad (2)$$

Substituting (2) into (1) gives

$$2/s = (2 + 1/s)(1 + s/2)V_o - \frac{1}{s}(2 + \frac{1}{s}) - V_o$$

$$V_o = \frac{(4s+1)}{s(s^2+1.5s+1)} = \frac{A}{s} + \frac{Bs+C}{s^2+1.5s+1}$$

$$4s+1 = A(s^2+1.5s+1) + Bs^2 + Cs$$

We equate coefficients.

$$s^2 : \quad 0 = A + B \text{ or } B = -A$$

$$s : \quad 4 = 1.5A + C$$

$$\text{constant:} \quad 1 = A, \quad B = -1, \quad C = 4 - 1.5A = 2.5$$

$$V_o = \frac{1}{s} + \frac{-s+2.5}{s^2+1.5s+1} = \frac{1}{s} - \frac{s+3/4}{(s+3/4)^2 + \left(\frac{\sqrt{7}}{4}\right)^2} + \frac{\frac{3.25}{\sqrt{7}} \times \frac{\sqrt{7}}{4}}{4}$$

$$v(t) = u(t) - e^{-3t/4} \cos \frac{\sqrt{7}}{4} t + 4.9135 e^{-3t/4} \sin \frac{\sqrt{7}}{4} t$$

PROPRIETARY MATERIAL. © 2007 The McGraw-Hill Companies, Inc. All rights reserved. No part of this Manual may be displayed, reproduced or distributed in any form or by any means, without the prior written permission of the publisher, or used beyond the limited distribution to teachers and educators permitted by McGraw-Hill for their individual course preparation. If you are a student using this Manual, you are using it without permission.

Chapter 16, Problem 8.

If $v_0(0) = -1\text{V}$, obtain $v_0(t)$ in the circuit of Fig. 16.42.

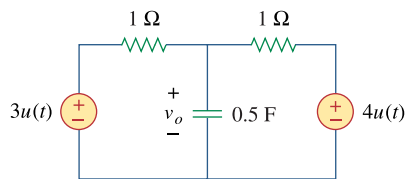
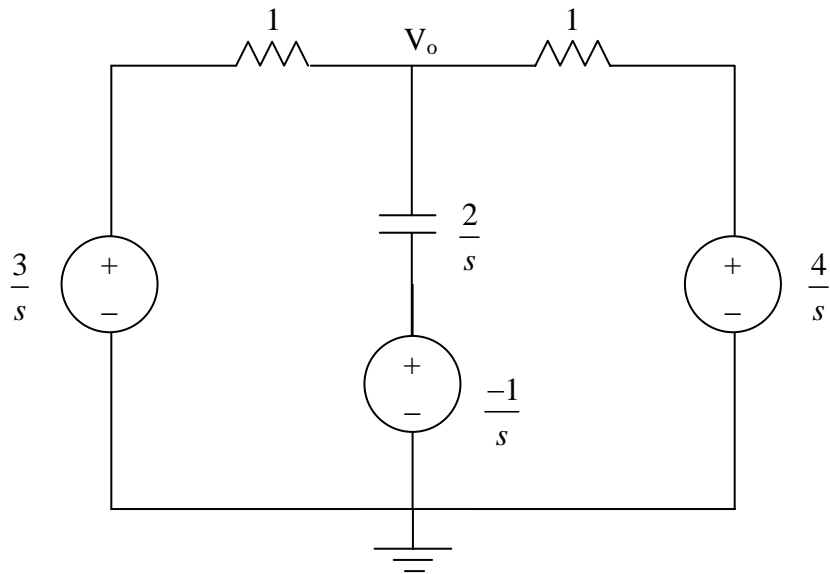


Figure 16.42
For Prob. 16.8.

Chapter 16, Solution 8.

$$\frac{1}{2}F \longrightarrow \frac{1}{sC} = \frac{2}{s}$$

We analyze the circuit in the s-domain as shown below. We apply nodal analysis.



$$\frac{3 - V_o}{s} + \frac{-1 - V_o}{\frac{2}{s}} + \frac{4 - V_o}{1} = 0 \longrightarrow V_o = \frac{14 - s}{s(s + 4)}$$

$$V_o = \frac{A}{s} + \frac{B}{s + 4}$$

$$A = \frac{14}{4} = 7/2, \quad B = \frac{18}{-4} = -9/2$$

$$V_o = \frac{7/2}{s} - \frac{9/2}{s + 4}$$

$$v_o(t) = \left(\frac{7}{2} - \frac{9}{2}e^{-4t} \right) u(t)$$

PROPRIETARY MATERIAL. © 2007 The McGraw-Hill Companies, Inc. All rights reserved. No part of this Manual may be displayed, reproduced or distributed in any form or by any means, without the prior written permission of the publisher, or used beyond the limited distribution to teachers and educators permitted by McGraw-Hill for their individual course preparation. If you are a student using this Manual, you are using it without permission.

Chapter 16, Problem 9.

Find the input impedance $Z_{in}(s)$ of each of the circuits in Fig. 16.43.

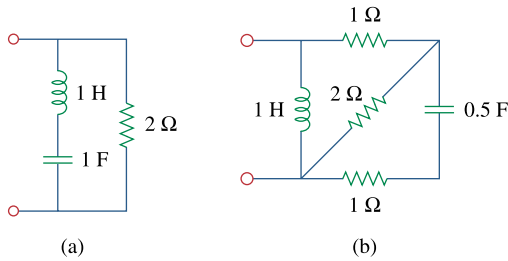


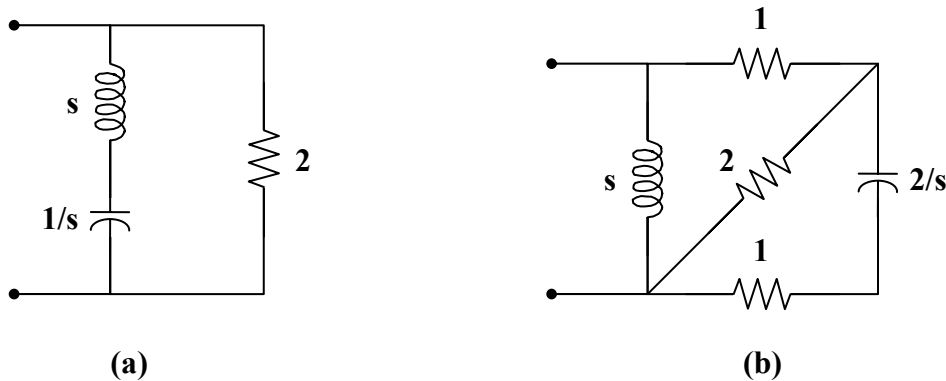
Figure 16.43

For Prob. 16.9.

Chapter 16, Solution 9.

- (a) The s -domain form of the circuit is shown in Fig. (a).

$$Z_{in} = 2 \parallel (s + 1/s) = \frac{2(s + 1/s)}{2 + s + 1/s} = \underline{\underline{\frac{2(s^2 + 1)}{s^2 + 2s + 1}}}$$



- (b) The s -domain equivalent circuit is shown in Fig. (b).

$$2 \parallel (1 + 2/s) = \frac{2(1 + 2/s)}{3 + 2/s} = \frac{2(s + 2)}{3s + 2}$$

$$1 + 2 \parallel (1 + 2/s) = \frac{5s + 6}{3s + 2}$$

$$Z_{in} = s \parallel \left(\frac{5s + 6}{3s + 2} \right) = \frac{s \cdot \left(\frac{5s + 6}{3s + 2} \right)}{s + \left(\frac{5s + 6}{3s + 2} \right)} = \underline{\underline{\frac{s(5s + 6)}{3s^2 + 7s + 6}}}$$

Chapter 16, Problem 10.

Use Thevenin's theorem to determine $v_o(t)$, $t > 0$ in the circuit of Fig. 16.44.

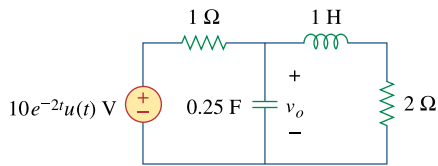


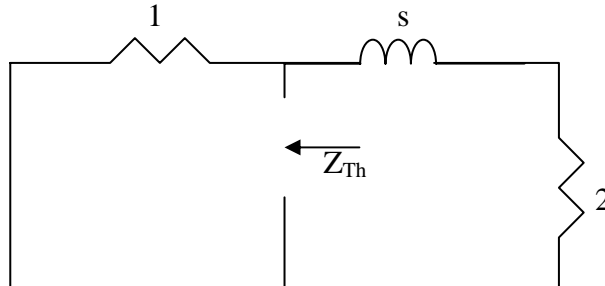
Figure 16.44
For Prob. 16.10.

Chapter 16, Solution 10.

$1H \longrightarrow 1s$ and $i_L(0) = 0$ (the source is zero for all $t < 0$).

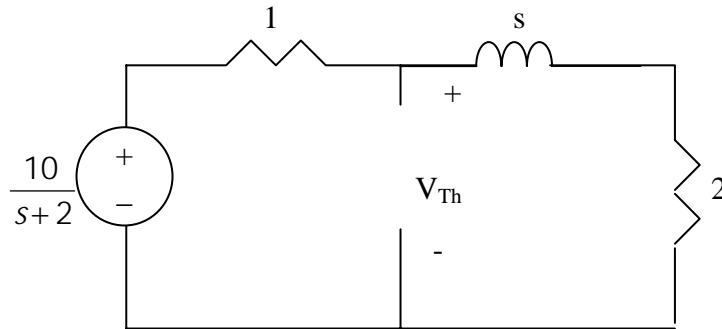
$\frac{1}{4}F \longrightarrow \frac{1}{sC} = \frac{4}{s}$ and $v_C(0) = 0$ (again, there are no source contributions for all $t < 0$).

To find Z_{Th} , consider the circuit below.



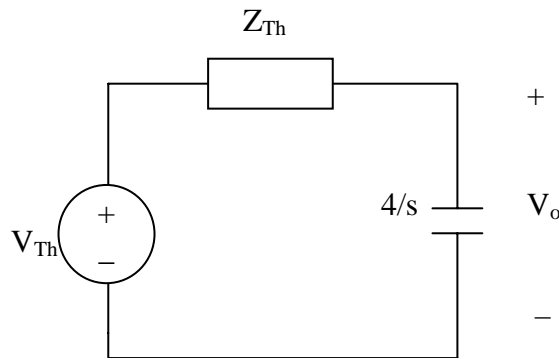
$$Z_{Th} = 1 // (s + 2) = \frac{s + 2}{s + 3}$$

To find V_{Th} , consider the circuit below.



$$V_{Th} = \frac{s+2}{s+3} \cdot \frac{10}{s+2} = \frac{10}{s+3}$$

The Thevenin equivalent circuit is shown below



$$V_o = \frac{\frac{4}{s}}{\frac{4}{s} + Z_{Th}} V_{Th} = \frac{\frac{4}{s}}{\frac{4}{s} + \frac{s+2}{s+3}} \cdot \frac{10}{s+3} = \frac{40}{s^2 + 6s + 12} = \frac{\frac{40}{\sqrt{3}} \sqrt{3}}{(s+3)^3 + (\sqrt{3})^2}$$

$$v_o(t) = \underline{23.094e^{-3t} \sin \sqrt{3}t}$$

Chapter 16, Problem 11.

Solve for the mesh currents in the circuit of Fig. 16.45. You may leave your results in the s -domain.

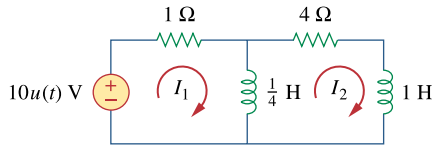
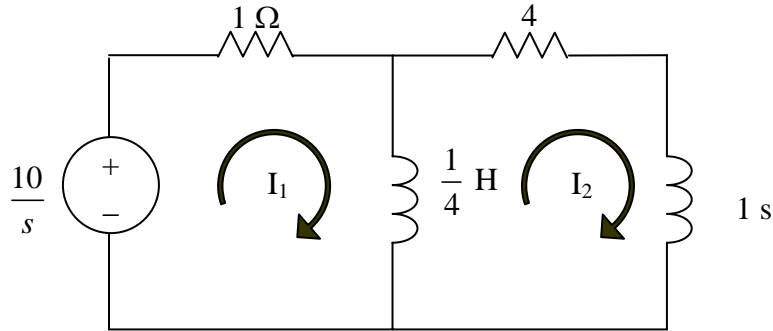


Figure 16.45
For Prob. 16.11.

Chapter 16, Solution 11.

In the s-domain, the circuit is as shown below.



$$\frac{10}{s} = \left(1 + \frac{s}{4}\right)I_1 - \frac{1}{4}sI_2 \quad (1)$$

$$-\frac{1}{4}sI_1 + I_2\left(4 + \frac{5}{4}s\right) = 0 \quad (2)$$

In matrix form,

$$\begin{bmatrix} \frac{10}{s} \\ s \\ 0 \end{bmatrix} = \begin{bmatrix} 1 + \frac{s}{4} & -\frac{1}{4}s \\ -\frac{1}{4}s & 4 + \frac{5}{4}s \end{bmatrix} \begin{bmatrix} I_1 \\ I_2 \end{bmatrix}$$

$$\Delta = \frac{1}{4}s^2 + \frac{9}{4}s + 4$$

$$\Delta_1 = \begin{vmatrix} \frac{10}{s} & -\frac{1}{4}s \\ 0 & 4 + \frac{5}{4}s \end{vmatrix} = \frac{40}{s} + \frac{50}{4}$$

$$\Delta_2 = \begin{vmatrix} 1 + \frac{s}{4} & \frac{10}{s} \\ -\frac{1}{4}s & 0 \end{vmatrix} = \frac{5}{2}$$

$$I_1 = \frac{\Delta_1}{\Delta} = \frac{\frac{40}{s} + \frac{25}{2}}{0.25s^2 + 2.25s + 4} = \frac{50s + 160}{s(s^2 + 9s + 16)}$$

$$I_2 = \frac{\Delta_2}{\Delta} = \frac{2.5}{0.25s^2 + 2.25s + 4} = \frac{10}{s^2 + 9s + 16}$$

PROPRIETARY MATERIAL. © 2007 The McGraw-Hill Companies, Inc. All rights reserved. No part of this Manual may be displayed, reproduced or distributed in any form or by any means, without the prior written permission of the publisher, or used beyond the limited distribution to teachers and educators permitted by McGraw-Hill for their individual course preparation. If you are a student using this Manual, you are using it without permission.

Chapter 16, Problem 12.

Find $v_o(t)$ in the circuit of Fig. 16.46.

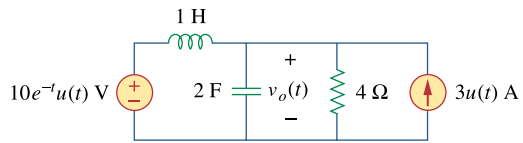
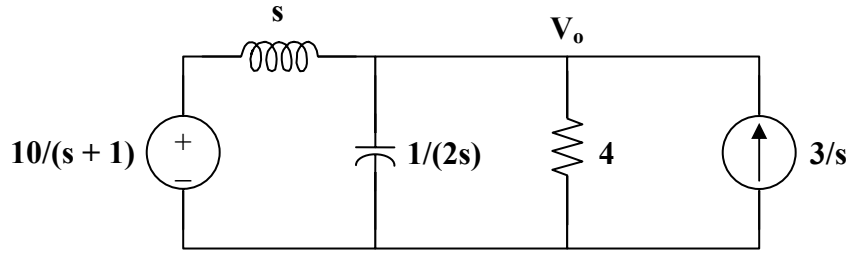


Figure 16.46
For Prob. 16.12.

Chapter 16, Solution 12.

We apply nodal analysis to the s-domain form of the circuit below.



$$\frac{10}{s+1} - \frac{V_o}{s} + \frac{3}{s} = \frac{V_o}{4} + 2sV_o$$

$$(1 + 0.25s + s^2)V_o = \frac{10}{s+1} + 15 = \frac{10 + 15s + 15}{s+1}$$

$$V_o = \frac{15s + 25}{(s+1)(s^2 + 0.25s + 1)} = \frac{A}{s+1} + \frac{Bs + C}{s^2 + 0.25s + 1}$$

$$A = (s+1)V_o \Big|_{s=-1} = \frac{40}{7}$$

$$15s + 25 = A(s^2 + 0.25s + 1) + B(s^2 + s) + C(s + 1)$$

Equating coefficients :

$$s^2: \quad 0 = A + B \quad \longrightarrow \quad B = -A$$

$$s^1: \quad 15 = 0.25A + B + C = -0.75A + C$$

$$s^0: \quad 25 = A + C$$

$$A = 40/7, \quad B = -40/7, \quad C = 135/7$$

$$V_o = \frac{40}{7} \frac{1}{s+1} + \frac{-40}{7} \frac{s + \frac{1}{2}}{\left(s + \frac{1}{2}\right)^2 + \frac{3}{4}} + \left(\frac{135}{7} \cdot \frac{2}{\sqrt{3}}\right) \frac{\frac{\sqrt{3}}{2}}{\left(s + \frac{1}{2}\right)^2 + \frac{3}{4}}$$

$$v_o(t) = \frac{40}{7} e^{-t} - \frac{40}{7} e^{-t/2} \cos\left(\frac{\sqrt{3}}{2} t\right) + \frac{(135)(2)}{(7)(\sqrt{3})} e^{-t/2} \sin\left(\frac{\sqrt{3}}{2} t\right)$$

$$v_o(t) = \underline{\underline{5.714 e^{-t} - 5.714 e^{-t/2} \cos(0.866t) + 25.57 e^{-t/2} \sin(0.866t) \text{ V}}}$$

Chapter 16, Problem 13.

Determine $i_o(t)$ in the circuit of Fig. 16.47.

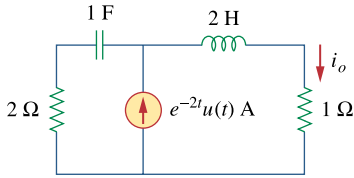
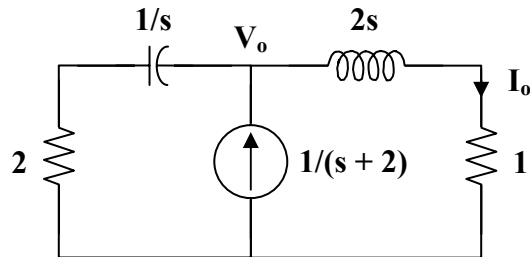


Figure 16.47

For Prob. 16.13.

Chapter 16, Solution 13.

Consider the following circuit.



Applying KCL at node o,

$$\frac{1}{s+2} = \frac{V_o}{2s+1} + \frac{V_o}{2+1/s} = \frac{s+1}{2s+1} V_o$$

$$V_o = \frac{2s+1}{(s+1)(s+2)}$$

$$I_o = \frac{V_o}{2s+1} = \frac{1}{(s+1)(s+2)} = \frac{A}{s+1} + \frac{B}{s+2}$$

$$A = 1, \quad B = -1$$

$$I_o = \frac{1}{s+1} - \frac{1}{s+2}$$

$$i_o(t) = \underline{\underline{(e^{-t} - e^{-2t})u(t) \text{ A}}}}$$

Chapter 16, Problem 14.

* Determine $i_o(t)$ in the network shown in Fig. 16.48.

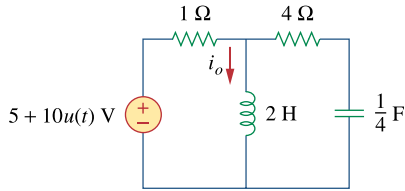


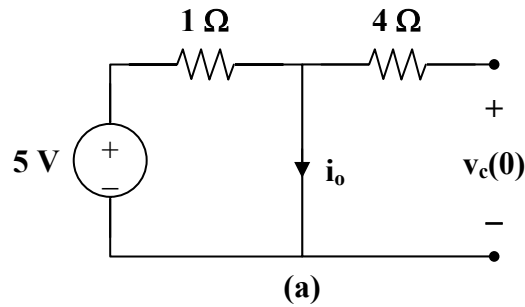
Figure 16.48

For Prob. 16.14.

* An asterisk indicates a challenging problem.

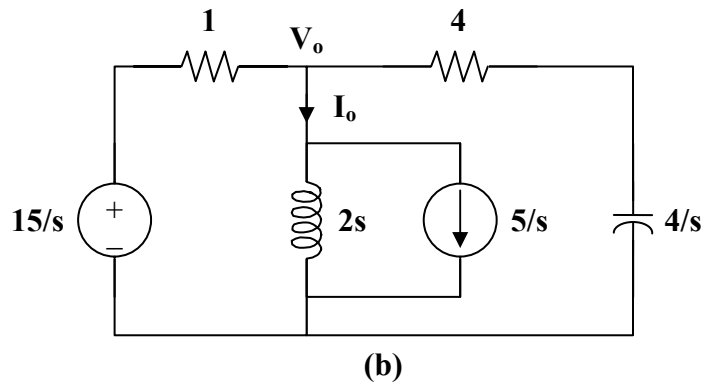
Chapter 16, Solution 14.

We first find the initial conditions from the circuit in Fig. (a).



$$i_o(0^-) = 5 \text{ A}, \quad v_c(0^-) = 0 \text{ V}$$

We now incorporate these conditions in the s-domain circuit as shown in Fig.(b).



At node o,

$$\frac{V_o - 15/s}{1} + \frac{V_o}{2s} + \frac{5}{s} + \frac{V_o - 0}{4 + 4/s} = 0$$

$$\frac{15}{s} - \frac{5}{s} = \left(1 + \frac{1}{2s} + \frac{s}{4(s+1)}\right) V_o$$

$$\frac{10}{s} = \frac{4s^2 + 4s + 2s + 2 + s^2}{4s(s+1)} V_o = \frac{5s^2 + 6s + 2}{4s(s+1)} V_o$$

$$V_o = \frac{40(s+1)}{5s^2 + 6s + 2}$$

$$I_o = \frac{V_o}{2s} + \frac{5}{s} = \frac{4(s+1)}{s(s^2 + 1.2s + 0.4)} + \frac{5}{s}$$

$$I_o = \frac{5}{s} + \frac{A}{s} + \frac{Bs + C}{s^2 + 1.2s + 0.4}$$

$$4(s+1) = A(s^2 + 1.2s + 0.4) + Bs^2 + Cs$$

Equating coefficients :

$$s^0: \quad 4 = 0.4A \quad \longrightarrow \quad A = 10$$

$$s^1: \quad 4 = 1.2A + C \quad \longrightarrow \quad C = -1.2A + 4 = -8$$

$$s^2: \quad 0 = A + B \quad \longrightarrow \quad B = -A = -10$$

$$I_o = \frac{5}{s} + \frac{10}{s} - \frac{10s + 8}{s^2 + 1.2s + 0.4}$$

$$I_o = \frac{15}{s} - \frac{10(s+0.6)}{(s+0.6)^2 + 0.2^2} - \frac{10(0.2)}{(s+0.6)^2 + 0.2^2}$$

$$i_o(t) = \underline{\underline{[15 - 10e^{-0.6t}(\cos(0.2t) - \sin(0.2t))] u(t) \text{ A}}}$$

Chapter 16, Problem 15.

Find $V_x(s)$ in the circuit shown in Fig. 16.49.

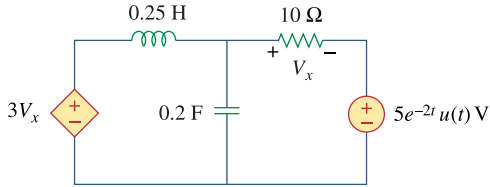
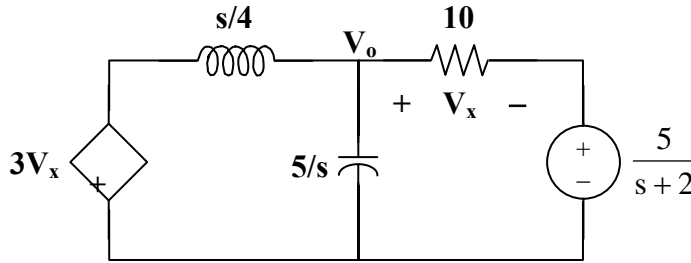


Figure 16.49

For Prob. 16.15.

Chapter 16, Solution 15.

First we need to transform the circuit into the s -domain.



$$\frac{V_o - 3V_x}{s/4} + \frac{V_o - 0}{5/s} + \frac{V_o - \frac{5}{s+2}}{10} = 0$$

$$40V_o - 120V_x + 2s^2V_o + sV_o - \frac{5s}{s+2} = 0 = (2s^2 + s + 40)V_o - 120V_x - \frac{5s}{s+2}$$

$$\text{But, } V_x = V_o - \frac{5}{s+2} \rightarrow V_o = V_x + \frac{5}{s+2}$$

We can now solve for V_x .

$$(2s^2 + s + 40)\left(V_x + \frac{5}{s+2}\right) - 120V_x - \frac{5s}{s+2} = 0$$

$$2(s^2 + 0.5s - 40)V_x = -10\frac{(s^2 + 20)}{s+2}$$

$$V_x = -5\frac{(s^2 + 20)}{(s+2)(s^2 + 0.5s - 40)}$$

Chapter 16, Problem 16.

* Find $i_0(t)$ for $t > 0$ in the circuit of Fig. 16.50.

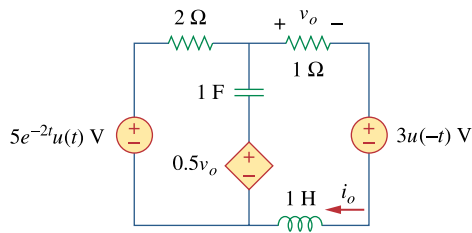
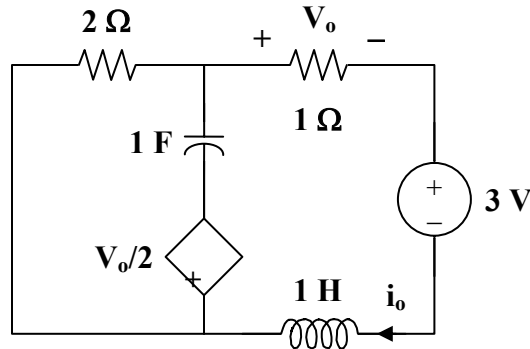


Figure 16.50
For Prob. 16.16.

* An asterisk indicates a challenging problem.

Chapter 16, Solution 16.

We first need to find the initial conditions. For $t < 0$, the circuit is shown in Fig. (a).



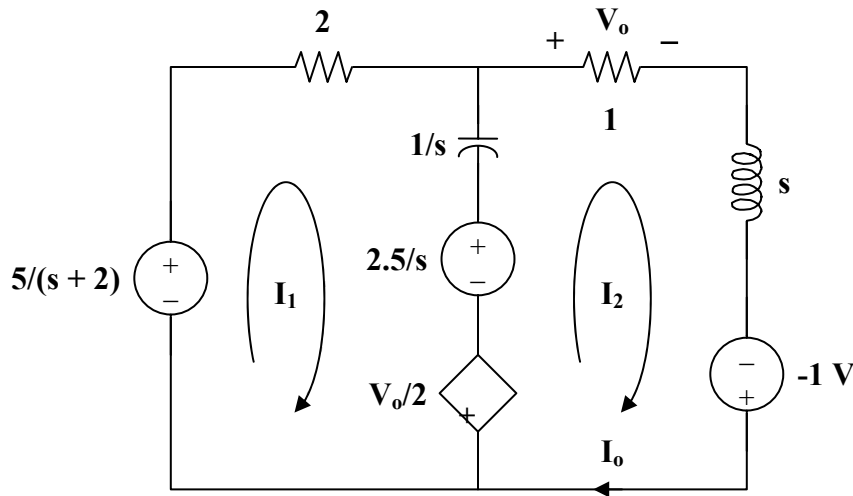
(a)

To dc, the capacitor acts like an open circuit and the inductor acts like a short circuit. Hence,

$$i_L(0) = i_o = \frac{-3}{3} = -1 \text{ A}, \quad v_o = -1 \text{ V}$$

$$v_c(0) = -(2)(-1) - \left(\frac{-1}{2}\right) = 2.5 \text{ V}$$

We now incorporate the initial conditions for $t > 0$ as shown in Fig. (b).



(b)

For mesh 1,

$$\frac{-5}{s+2} + \left(2 + \frac{1}{s}\right)I_1 - \frac{1}{s}I_2 + \frac{2.5}{s} + \frac{V_o}{2} = 0$$

But, $V_o = I_o = I_2$

$$\left(2 + \frac{1}{s}\right)I_1 + \left(\frac{1}{2} - \frac{1}{s}\right)I_2 = \frac{5}{s+2} - \frac{2.5}{s} \quad (1)$$

For mesh 2,

$$\begin{aligned} \left(1 + s + \frac{1}{s}\right)I_2 - \frac{1}{s}I_1 + 1 - \frac{V_o}{2} - \frac{2.5}{s} &= 0 \\ -\frac{1}{s}I_1 + \left(\frac{1}{2} + s + \frac{1}{s}\right)I_2 &= \frac{2.5}{s} - 1 \end{aligned} \quad (2)$$

Put (1) and (2) in matrix form.

$$\begin{bmatrix} 2 + \frac{1}{s} & \frac{1}{2} - \frac{1}{s} \\ -\frac{1}{s} & \frac{1}{2} + s + \frac{1}{s} \end{bmatrix} \begin{bmatrix} I_1 \\ I_2 \end{bmatrix} = \begin{bmatrix} \frac{5}{s+2} - \frac{2.5}{s} \\ \frac{2.5}{s} - 1 \end{bmatrix}$$

$$\Delta = 2s + 2 + \frac{3}{s}, \quad \Delta_2 = -2 + \frac{4}{s} + \frac{5}{s(s+2)}$$

$$I_o = I_2 = \frac{\Delta_2}{\Delta} = \frac{-2s^2 + 13}{(s+2)(2s^2 + 2s + 3)} = \frac{A}{s+2} + \frac{Bs + C}{2s^2 + 2s + 3}$$

$$-2s^2 + 13 = A(2s^2 + 2s + 3) + B(s^2 + 2s) + C(s + 2)$$

Equating coefficients :

$$s^2: \quad -2 = 2A + B$$

$$s^1: \quad 0 = 2A + 2B + C$$

$$s^0: \quad 13 = 3A + 2C$$

Solving these equations leads to

$$A = 0.7143, \quad B = -3.429, \quad C = 5.429$$

$$I_o = \frac{0.7143}{s+2} - \frac{3.429s - 5.429}{2s^2 + 2s + 3} = \frac{0.7143}{s+2} - \frac{1.7145s - 2.714}{s^2 + s + 1.5}$$

$$I_o = \frac{0.7143}{s+2} - \frac{1.7145(s+0.5)}{(s+0.5)^2 + 1.25} + \frac{(3.194)(\sqrt{1.25})}{(s+0.5)^2 + 1.25}$$

$$i_o(t) = \underline{\underline{\left[0.7143e^{-2t} - 1.7145e^{-0.5t} \cos(1.25t) + 3.194e^{-0.5t} \sin(1.25t)\right]u(t) \text{ A}}}$$

Chapter 16, Problem 17.

Calculate $i_o(t)$ for $t > 0$ in the network of Fig. 16.51.

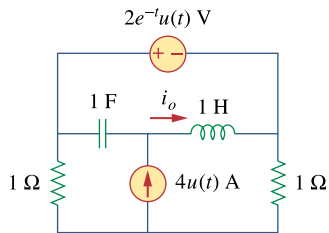
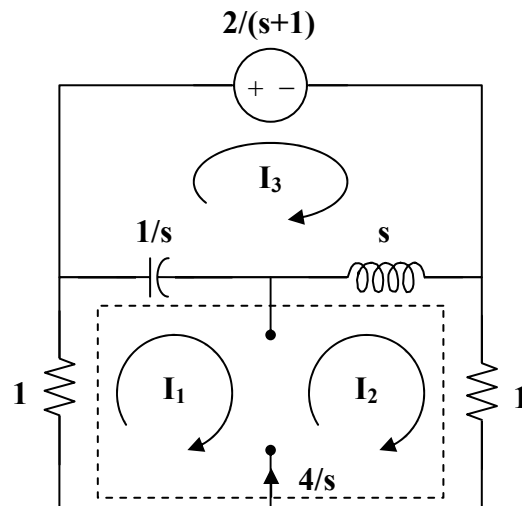


Figure 16.51
For Prob. 16.17.

Chapter 16, Solution 17.

We apply mesh analysis to the s-domain form of the circuit as shown below.



For mesh 3,

$$\frac{2}{s+1} + \left(s + \frac{1}{s}\right)I_3 - \frac{1}{s}I_1 - sI_2 = 0 \quad (1)$$

For the supermesh,

$$\left(1 + \frac{1}{s}\right)I_1 + (1+s)I_2 - \left(\frac{1}{s} + s\right)I_3 = 0 \quad (2)$$

$$\text{Adding (1) and (2) we get, } I_1 + I_2 = -2/(s+1) \quad (3)$$

$$\text{But } -I_1 + I_2 = 4/s \quad (4)$$

$$\text{Adding (3) and (4) we get, } I_2 = (2/s) - 1/(s+1) \quad (5)$$

$$\text{Substituting (5) into (4) yields, } I_1 = -(2/s) - (1/(s+1)) \quad (6)$$

Substituting (5) and (6) into (1) we get,

$$\frac{2}{s^2} + \frac{1}{s(s+1)} - 2 + \frac{s}{s+1} + \left(\frac{s^2 + 1}{s} \right) I_3 = -\frac{2}{s+1}$$

$$I_3 = -\frac{2}{s} + \frac{1.5 - 0.5j}{s+j} + \frac{1.5 + 0.5j}{s-j}$$

Substituting (3) into (1) and (2) leads to

$$-\left(s + \frac{1}{s}\right) I_2 + \left(s + \frac{1}{s}\right) I_3 = \frac{2(-s^2 + 2s + 2)}{s^2(s+1)} \quad (4)$$

$$\left(2 + s + \frac{1}{s}\right) I_2 - \left(s + \frac{1}{s}\right) I_3 = -\frac{4(s+1)}{s^2} \quad (5)$$

We can now solve for I_0 .

$$I_0 = I_2 - I_3 = (4/s) - (1/(s+1)) + ((-1.5+0.5j)/(s+j)) + ((-1.5-0.5j)/(s-j))$$

or

$$i_0(t) = \underline{\underline{[4 - e^{-t} + 1.5811e^{-jt+161.57^\circ} + 1.5811e^{jt-161.57^\circ}]u(t)A}}$$

This is a challenging problem. I did check it with using a Thevenin equivalent circuit and got the same exact answer.

Chapter 16, Problem 18.

(a) Find the Laplace transform of the voltage shown in Fig. 16.52(a). (b) Using that value of $v_s(t)$ in the circuit shown in Fig. 16.52(b), find the value of $v_o(t)$.

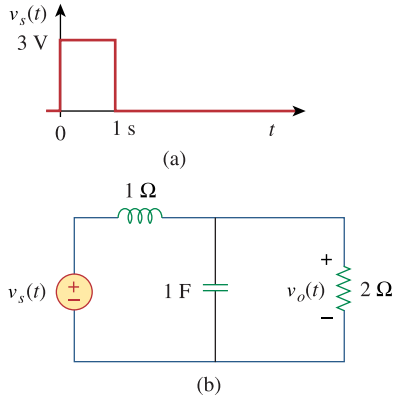
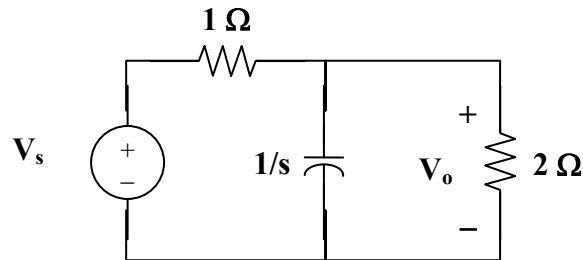


Figure 16.52
For Prob. 16.18.

Chapter 16, Solution 18.

$$v_s(t) = 3u(t) - 3u(t-1) \quad \text{or} \quad V_s = \frac{3}{s} - \frac{e^{-s}}{s} = \frac{3}{s}(1 - e^{-s})$$



$$\frac{V_o - V_s}{1} + sV_o + \frac{V_o}{2} = 0 \rightarrow (s + 1.5)V_o = V_s$$

$$V_o = \frac{3}{s(s + 1.5)}(1 - e^{-s}) = \left(\frac{2}{s} - \frac{2}{s + 1.5} \right) (1 - e^{-s})$$

$$v_o(t) = \underline{[(2 - 2e^{-1.5t})u(t) - (2 - 2e^{-1.5(t-1)})u(t-1)]V}$$

Chapter 16, Problem 19.

In the circuit of Fig. 16.53, let $i(0) = 1$ A, $v_o(0) = 0$ V and $v_s = 4e^{-2t}u(t)$ V. Find $v_o(t)$ for $t > 0$.

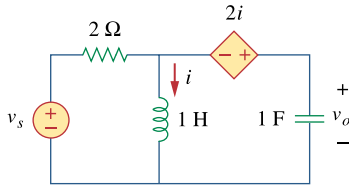
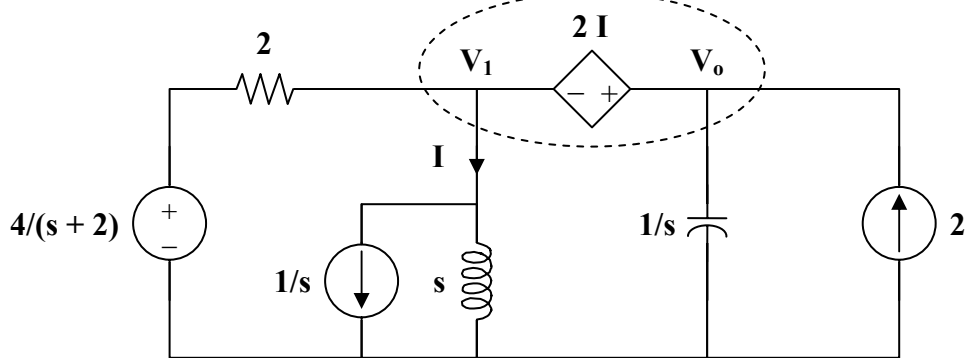


Figure 16.53
For Prob. 16.19.

Chapter 16, Solution 19.

We incorporate the initial conditions in the s-domain circuit as shown below.



At the supernode,

$$\frac{(4/(s+2)) - V_1}{2} + 2 = \frac{V_1}{s} + \frac{1}{s} + sV_o$$

$$\frac{2}{s+2} + 2 = \left(\frac{1}{2} + \frac{1}{s}\right)V_1 + \frac{1}{s} + sV_o \quad (1)$$

But $V_o = V_1 + 2I$ and $I = \frac{V_1 + 1}{s}$

$$V_o = V_1 + \frac{2(V_1 + 1)}{s} \longrightarrow V_1 = \frac{V_o - 2/s}{(s+2)/s} = \frac{sV_o - 2}{s+2} \quad (2)$$

Substituting (2) into (1)

$$\frac{2}{s+2} + 2 - \frac{1}{s} = \left(\frac{s+2}{2s}\right) \left[\left(\frac{s}{s+2}\right)V_o - \frac{2}{s+2}\right] + sV_o$$

$$\frac{2}{s+2} + 2 - \frac{1}{s} + \frac{1}{s} = \left[\left(\frac{1}{2}\right) + s\right]V_o$$

$$\frac{2s+4+2}{(s+2)} = \frac{2s+6}{s+2} = (s+1/2)V_o$$

$$V_o = \frac{2s+6}{(s+2)(s+1/2)} = \frac{A}{s+1/2} + \frac{B}{s+2}$$

$$A = (-1+6)/(-0.5+2) = 3.333, \quad B = (-4+6)/(-2+1/2) = -1.3333$$

$$V_o = \frac{3.333}{s+1/2} - \frac{1.3333}{s+2}$$

Therefore,

$$v_o(t) = \underline{\underline{(3.333e^{-t/2} - 1.3333e^{-2t})u(t) \text{ V}}}$$

Chapter 16, Problem 20.

Find $v_o(t)$ in the circuit of Fig. 16.54 if $v_x(0) = 2 \text{ V}$ and $i(0) = 1 \text{ A}$.

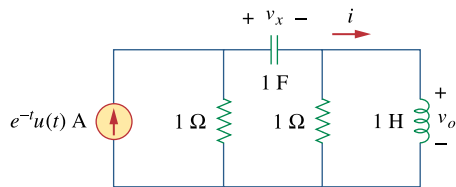
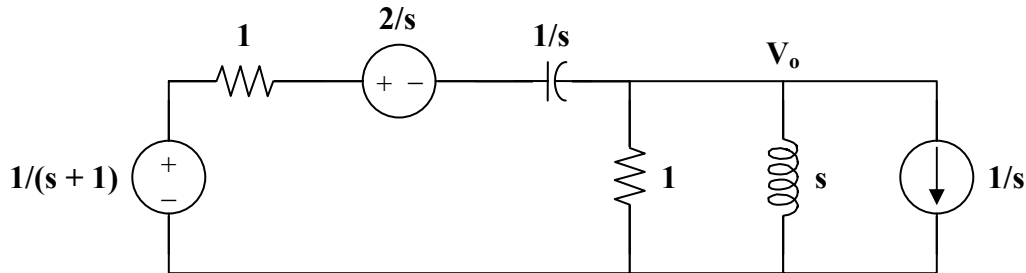


Figure 16.54
For Prob. 16.20.

Chapter 16, Solution 20.

We incorporate the initial conditions and transform the current source to a voltage source as shown.



At the main non-reference node, KCL gives

$$\frac{1/(s+1) - 2/s - V_o}{1 + 1/s} = \frac{V_o}{1} + \frac{V_o}{s} + \frac{1}{s}$$

$$\frac{s}{s+1} - 2 - sV_o = (s+1)(1 + 1/s)V_o + \frac{s+1}{s}$$

$$\frac{s}{s+1} - \frac{s+1}{s} - 2 = (2s + 2 + 1/s)V_o$$

$$V_o = \frac{-2s^2 - 4s - 1}{(s+1)(2s^2 + 2s + 1)}$$

$$V_o = \frac{-s - 2s - 0.5}{(s+1)(s^2 + s + 0.5)} = \frac{A}{s+1} + \frac{Bs + C}{s^2 + s + 0.5}$$

$$A = (s+1)V_o \Big|_{s=-1} = 1$$

$$-s^2 - 2s - 0.5 = A(s^2 + s + 0.5) + B(s^2 + s) + C(s+1)$$

Equating coefficients :

$$s^2: \quad -1 = A + B \quad \longrightarrow \quad B = -2$$

$$s^1: \quad -2 = A + B + C \quad \longrightarrow \quad C = -1$$

$$s^0: \quad -0.5 = 0.5A + C = 0.5 - 1 = -0.5$$

$$V_o = \frac{1}{s+1} - \frac{2s+1}{s^2 + s + 0.5} = \frac{1}{s+1} - \frac{2(s+0.5)}{(s+0.5)^2 + (0.5)^2}$$

$$v_o(t) = \underline{\underline{[e^{-t} - 2e^{-t/2} \cos(t/2)]u(t) \text{ V}}}$$

PROPRIETARY MATERIAL. © 2007 The McGraw-Hill Companies, Inc. All rights reserved. No part of this Manual may be displayed, reproduced or distributed in any form or by any means, without the prior written permission of the publisher, or used beyond the limited distribution to teachers and educators permitted by McGraw-Hill for their individual course preparation. If you are a student using this Manual, you are using it without permission.

Chapter 16, Problem 21.

Find the voltage $v_o(t)$ in the circuit of Fig. 16.55 by means of the Laplace transform.

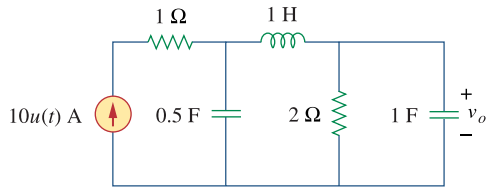
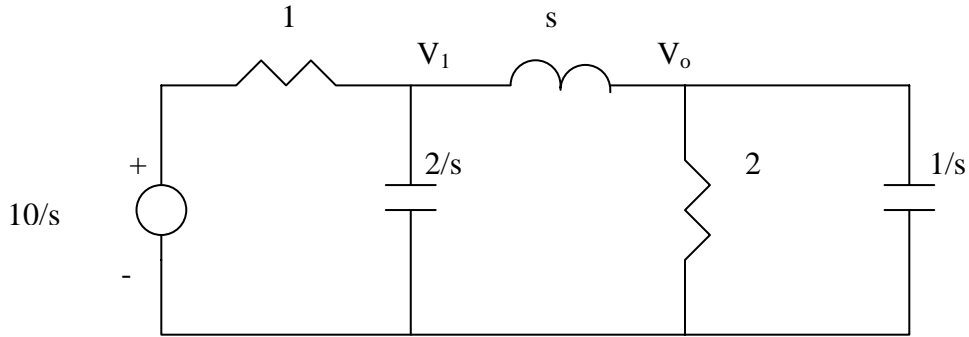


Figure 16.55
For Prob. 16.21.

Chapter 16, Solution 21.

The s-domain version of the circuit is shown below.



At node 1,

$$\frac{\frac{10}{s} - V_1}{1} = \frac{V_1 - V_o}{s} + \frac{s}{2} V_o \quad \longrightarrow \quad 10 = (s+1)V_1 + \left(\frac{s^2}{2} - 1\right)V_o \quad (1)$$

At node 2,

$$\frac{V_1 - V_o}{s} = \frac{V_o}{2} + sV_o \quad \longrightarrow \quad V_1 = V_o \left(\frac{s}{2} + s^2 + 1\right) \quad (2)$$

Substituting (2) into (1) gives

$$10 = (s+1)\left(s^2 + \frac{s}{2} + 1\right)V_o + \left(\frac{s^2}{2} - 1\right)V_o = s(s^2 + 2s + 1.5)V_o$$

$$V_o = \frac{10}{s(s^2 + 2s + 1.5)} = \frac{A}{s} + \frac{Bs + C}{s^2 + 2s + 1.5}$$

$$10 = A(s^2 + 2s + 1.5) + Bs^2 + Cs$$

$$s^2: \quad 0 = A + B$$

$$s: \quad 0 = 2A + C$$

$$\text{constant:} \quad 10 = 1.5A \quad \longrightarrow \quad A = 20/3, \quad B = -20/3, \quad C = -40/3$$

$$V_o = \frac{20}{3} \left[\frac{1}{s} - \frac{s+2}{s^2 + 2s + 1.5} \right] = \frac{20}{3} \left[\frac{1}{s} - \frac{s+1}{(s+1)^2 + 0.7071^2} - 1.414 \frac{0.7071}{(s+1)^2 + 0.7071^2} \right]$$

Taking the inverse Laplace transform finally yields

$$v_o(t) = \frac{20}{3} \left[1 - e^{-t} \cos 0.7071t - 1.414e^{-t} \sin 0.7071t \right] u(t) \text{ V}$$

Chapter 16, Problem 22.

Find the node voltages v_1 and v_2 in the circuit of Fig. 16.56 using the Laplace transform technique. Assume that $i_s = 12e^{-t} u(t)$ A and that all initial conditions are zero.

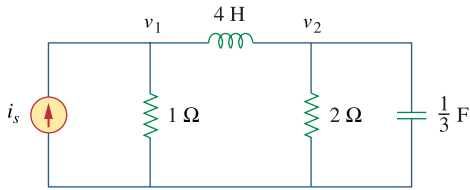
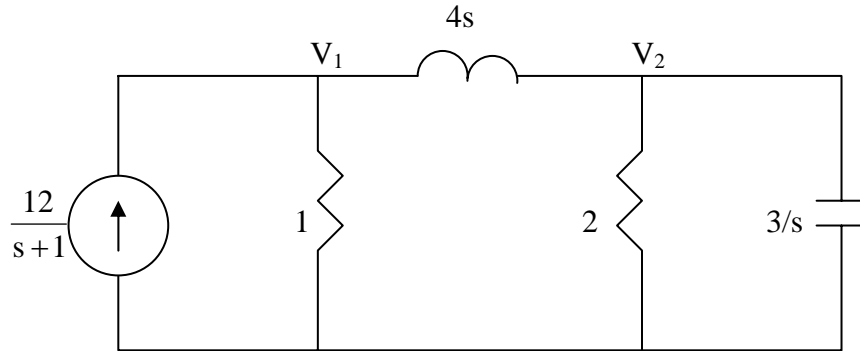


Figure 16.56
For Prob. 16.22.

Chapter 16, Solution 22.

The s-domain version of the circuit is shown below.



At node 1,

$$\frac{12}{s+1} = \frac{V_1}{1} + \frac{V_1 - V_2}{4s} \quad \longrightarrow \quad \frac{12}{s+1} = V_1 \left(1 + \frac{1}{4s} \right) - \frac{V_2}{4s} \quad (1)$$

At node 2,

$$\frac{V_1 - V_2}{4s} = \frac{V_2}{2} + \frac{s}{3} V_2 \quad \longrightarrow \quad V_1 = V_2 \left(\frac{4}{3} s^2 + 2s + 1 \right) \quad (2)$$

Substituting (2) into (1),

$$\frac{12}{s+1} = V_2 \left[\left(\frac{4}{3} s^2 + 2s + 1 \right) \left(1 + \frac{1}{4s} \right) - \frac{1}{4s} \right] = \left(\frac{4}{3} s^2 + \frac{7}{3} s + \frac{3}{2} \right) V_2$$

$$V_2 = \frac{9}{(s+1) \left(s^2 + \frac{7}{4} s + \frac{9}{8} \right)} = \frac{A}{(s+1)} + \frac{Bs + C}{\left(s^2 + \frac{7}{4} s + \frac{9}{8} \right)}$$

$$9 = A \left(s^2 + \frac{7}{4} s + \frac{9}{8} \right) + B(s^2 + s) + C(s+1)$$

Equating coefficients:

$$\begin{aligned}
 s^2 : \quad & 0 = A + B \\
 s : \quad & 0 = \frac{7}{4}A + B + C = \frac{3}{4}A + C \quad \longrightarrow \quad C = -\frac{3}{4}A \\
 \text{constant :} \quad & 9 = \frac{9}{8}A + C = \frac{3}{8}A \quad \longrightarrow \quad A = 24, B = -24, C = -18
 \end{aligned}$$

$$V_2 = \frac{24}{(s+1)} - \frac{24s+18}{(s^2 + \frac{7}{4}s + \frac{9}{8})} = \frac{24}{(s+1)} - \frac{24(s+7/8)}{(s+\frac{7}{8})^2 + \frac{23}{64}} + \frac{3}{(s+\frac{7}{8})^2 + \frac{23}{64}}$$

Taking the inverse of this produces:

$$\underline{v_2(t) = \left[24e^{-t} - 24e^{-0.875t} \cos(0.5995t) + 5.004e^{-0.875t} \sin(0.5995t) \right] u(t)}$$

Similarly,

$$\begin{aligned}
 V_1 &= \frac{9\left(\frac{4}{3}s^2 + 2s + 1\right)}{(s+1)\left(s^2 + \frac{7}{4}s + \frac{9}{8}\right)} = \frac{D}{(s+1)} + \frac{Es + F}{\left(s^2 + \frac{7}{4}s + \frac{9}{8}\right)} \\
 9\left(\frac{4}{3}s^2 + 2s + 1\right) &= D\left(s^2 + \frac{7}{4}s + \frac{9}{8}\right) + E(s^2 + s) + F(s+1)
 \end{aligned}$$

Equating coefficients:

$$\begin{aligned}
 s^2 : \quad & 12 = D + E \\
 s : \quad & 18 = \frac{7}{4}D + E + F \text{ or } 6 = \frac{3}{4}D + F \quad \longrightarrow \quad F = 6 - \frac{3}{4}D \\
 \text{constant :} \quad & 9 = \frac{9}{8}D + F \text{ or } 3 = \frac{3}{8}D \quad \longrightarrow \quad D = 8, E = 4, F = 0
 \end{aligned}$$

$$V_1 = \frac{8}{(s+1)} + \frac{4s}{\left(s^2 + \frac{7}{4}s + \frac{9}{8}\right)} = \frac{8}{(s+1)} + \frac{4(s+7/8)}{\left(s+\frac{7}{8}\right)^2 + \frac{23}{64}} - \frac{7/2}{\left(s+\frac{7}{8}\right)^2 + \frac{23}{64}}$$

Thus,

$$\underline{v_1(t) = \left[8e^{-t} + 4e^{-0.875t} \cos(0.5995t) - 5.838e^{-0.875t} \sin(0.5995t) \right] u(t)}$$

PROPRIETARY MATERIAL. © 2007 The McGraw-Hill Companies, Inc. All rights reserved. No part of this Manual may be displayed, reproduced or distributed in any form or by any means, without the prior written permission of the publisher, or used beyond the limited distribution to teachers and educators permitted by McGraw-Hill for their individual course preparation. If you are a student using this Manual, you are using it without permission.

Chapter 16, Problem 23.

Consider the parallel RLC circuit of Fig. 16.57. Find $v(t)$ and $i(t)$ given that $v(0) = 5$ and $i(0) = -2$ A.

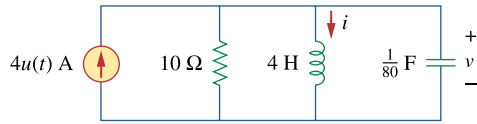
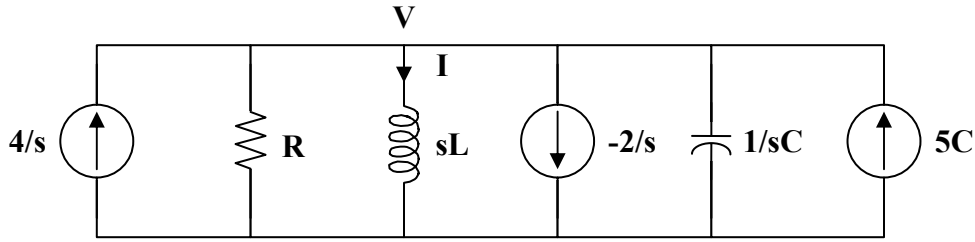


Figure 16.57
For Prob. 16.23.

Chapter 16, Solution 23.

The s-domain form of the circuit with the initial conditions is shown below.



At the non-reference node,

$$\frac{4}{s} + \frac{2}{s} + 5C = \frac{V}{R} + \frac{V}{sL} + sCV$$

$$\frac{6 + 5sC}{s} = \frac{CV}{s} \left(s^2 + \frac{s}{RC} + \frac{1}{LC} \right)$$

$$V = \frac{5s + 6/C}{s^2 + s/RC + 1/LC}$$

But $\frac{1}{RC} = \frac{1}{10/80} = 8$, $\frac{1}{LC} = \frac{1}{4/80} = 20$

$$V = \frac{5s + 480}{s^2 + 8s + 20} = \frac{5(s + 4)}{(s + 4)^2 + 2^2} + \frac{(230)(2)}{(s + 4)^2 + 2^2}$$

$$v(t) = \underline{(5e^{-4t} \cos(2t) + 230e^{-4t} \sin(2t))u(t) \text{ V}}$$

$$I = \frac{V}{sL} = \frac{5s + 480}{4s(s^2 + 8s + 20)}$$

$$I = \frac{1.25s + 120}{s(s^2 + 8s + 20)} = \frac{A}{s} + \frac{Bs + C}{s^2 + 8s + 20}$$

$$A = 6, \quad B = -6, \quad C = -46.75$$

$$I = \frac{6}{s} - \frac{6s + 46.75}{s^2 + 8s + 20} = \frac{6}{s} - \frac{6(s + 4)}{(s + 4)^2 + 2^2} - \frac{(11.375)(2)}{(s + 4)^2 + 2^2}$$

$$i(t) = \underline{(6 - 6e^{-4t} \cos(2t) - 11.375e^{-4t} \sin(2t))u(t), \quad t > 0}$$

Chapter 16, Problem 24.

The switch in Fig. 16.58 moves from position 1 to position 2 at $t = 0$. Find $v(t)$, for all $t > 0$.

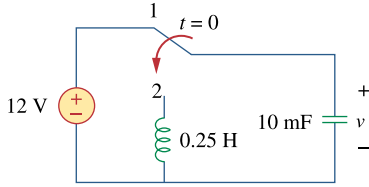
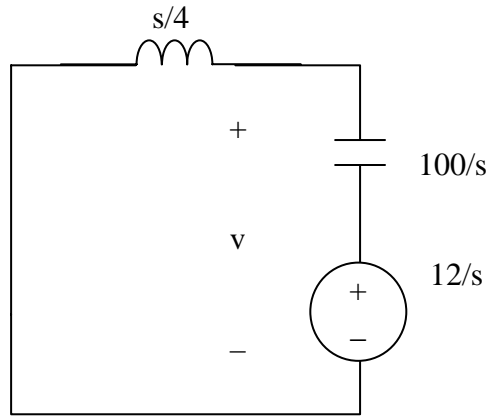


Figure 16.58
For Prob. 16.24.

Chapter 16, Solution 24.

When the switch is position 1, $v(0)=12$, and $i_L(0) = 0$. When the switch is in position 2, we have the circuit as shown below.



$$10mF = 0.01F \quad \longrightarrow \quad \frac{1}{sC} = \frac{100}{s}$$

$$I = \frac{12/s}{s/4 + 100/s} = \frac{48}{s^2 + 400}, \quad V = sLI = \frac{s}{4} I = \frac{12s}{s^2 + 400}$$

$$v(t) = \underline{12 \cos 20t, \quad t > 0}$$

Chapter 16, Problem 25.

For the *RLC* circuit shown in Fig. 16.59, find the complete response if $v(0) = 2$ V when the switch is closed.

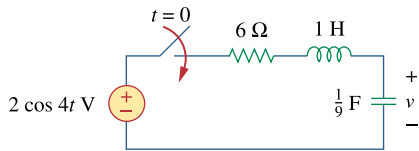
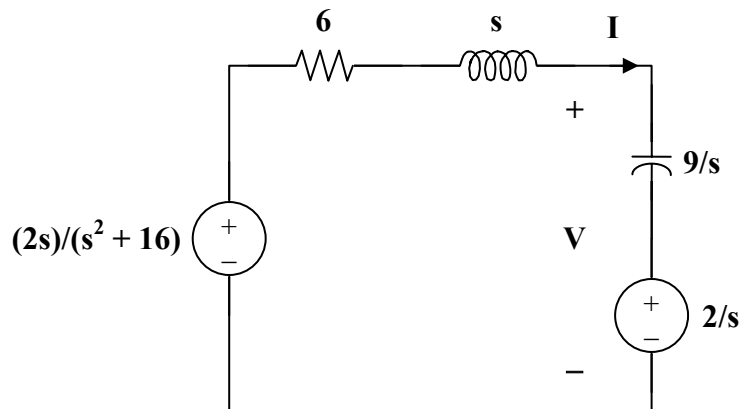


Figure 16.59
For Prob. 16.25.

Chapter 16, Solution 25.

For $t > 0$, the circuit in the *s*-domain is shown below.



Applying KVL,

$$\frac{-2s}{s^2+16} + \left(6+s+\frac{9}{s}\right)I + \frac{2}{s} = 0$$

$$I = \frac{-32}{(s^2+6s+9)(s^2+16)}$$

$$V = \frac{9}{s}I + \frac{2}{s} = \frac{2}{s} + \frac{-288}{s(s+3)^2(s^2+16)}$$

$$= \frac{2}{s} + \frac{A}{s} + \frac{B}{s+3} + \frac{C}{(s+3)^2} + \frac{Ds+E}{s^2+16}$$

$$\begin{aligned} -288 &= A(s^4+6s^3+25s^2+96s+144) + B(s^4+3s^3+16s^2+48s) \\ &+ C(s^3+16s) + D(s^4+6s^3+9s^2) + E(s^3+6s^2+9s) \end{aligned}$$

Equating coefficients :

$$s^0: \quad -288 = 144A \quad (1)$$

$$s^1: \quad 0 = 96A + 48B + 16C + 9E \quad (2)$$

$$s^2: \quad 0 = 25A + 16B + 9D + 6E \quad (3)$$

$$s^3: \quad 0 = 6A + 3B + C + 6D + E \quad (4)$$

$$s^4: \quad 0 = A + B + D \quad (5)$$

Solving equations (1), (2), (3), (4) and (5) gives

$$A = -2, \quad B = 2.202, \quad C = 3.84, \quad D = -0.202, \quad E = 2.766$$

$$V(s) = \frac{2.202}{s+3} + \frac{3.84}{(s+3)^2} - \frac{0.202s}{s^2+16} + \frac{(0.6915)(4)}{s^2+16}$$

$$v(t) = \underline{\underline{\{2.202e^{-3t} + 3.84te^{-3t} - 0.202\cos(4t) + 0.6915\sin(4t)\}u(t) \text{ V}}}$$

Chapter 16, Problem 26.

For the op amp circuit in Fig. 16.60, find $v_o(t)$ for $t > 0$. Take $v_s = 3e^{-5t} u(t)$ V.

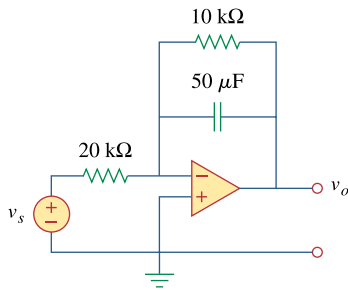
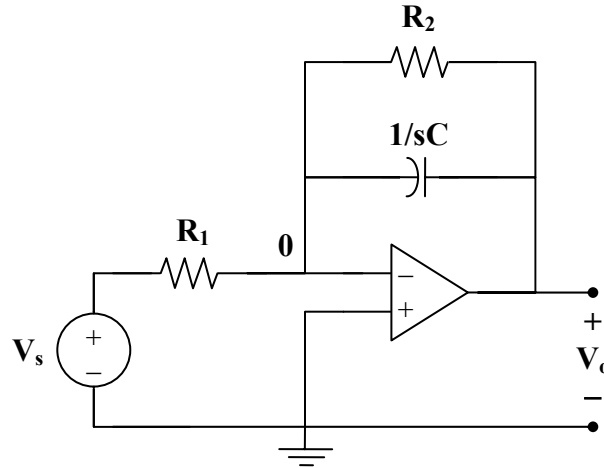


Figure 16.60
For Prob. 16.26.

Chapter 16, Solution 26.

Consider the op-amp circuit below.



At node 0,

$$\frac{V_s - 0}{R_1} = \frac{0 - V_o}{R_2} + (0 - V_o)sC$$

$$V_s = R_1 \left(\frac{1}{R_2} + sC \right) (-V_o)$$

$$\frac{V_o}{V_s} = \frac{-1}{sR_1C + R_1/R_2}$$

But $\frac{R_1}{R_2} = \frac{20}{10} = 2$, $R_1C = (20 \times 10^3)(50 \times 10^{-6}) = 1$

So, $\frac{V_o}{V_s} = \frac{-1}{s+2}$

$$V_s = 3e^{-5t} \longrightarrow V_s = 3/(s+5)$$

$$V_o = \frac{-3}{(s+2)(s+5)}$$

$$-V_o = \frac{3}{(s+2)(s+5)} = \frac{A}{s+2} + \frac{B}{s+5}$$

$$A = 1, \quad B = -1$$

$$V_o = \frac{1}{s+5} - \frac{1}{s+2}$$

$$v_o(t) = \underline{(e^{-5t} - e^{-2t})u(t)}$$

Chapter 16, Problem 27.

Find $I_1(s)$ and $I_2(s)$ in the circuit of Fig. 16.61.

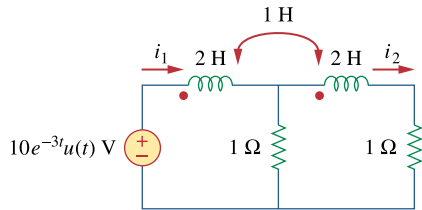
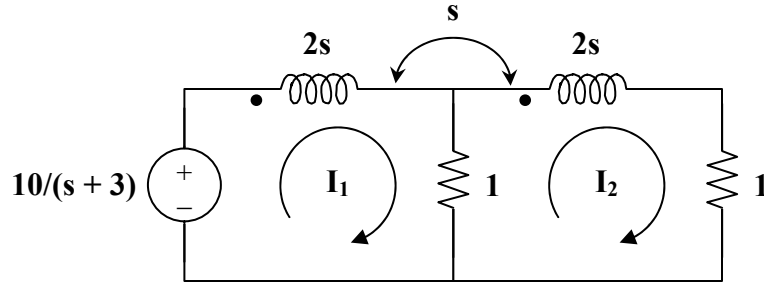


Figure 16.61

For Prob. 16.27.

Chapter 16, Solution 27.

Consider the following circuit.



For mesh 1,

$$\frac{10}{s+3} = (1+2s)I_1 - I_2 - sI_2$$

$$\frac{10}{s+3} = (1+2s)I_1 - (1+s)I_2 \quad (1)$$

For mesh 2,

$$0 = (2+2s)I_2 - I_1 - sI_1$$

$$0 = -(1+s)I_1 + 2(s+1)I_2 \quad (2)$$

(1) and (2) in matrix form,

$$\begin{bmatrix} 10/(s+3) \\ 0 \end{bmatrix} = \begin{bmatrix} 2s+1 & -(s+1) \\ -(s+1) & 2(s+1) \end{bmatrix} \begin{bmatrix} I_1 \\ I_2 \end{bmatrix}$$

$$\Delta = 3s^2 + 4s + 1$$

$$\Delta_1 = \frac{20(s+1)}{s+3}$$

$$\Delta_2 = \frac{10(s+1)}{s+3}$$

Thus

$$I_1 = \frac{\Delta_1}{\Delta} = \frac{20(s+1)}{(s+3)(3s^2+4s+1)}$$

$$I_2 = \frac{\Delta_2}{\Delta} = \frac{10(s+1)}{(s+3)(3s^2+4s+1)} = \frac{I_1}{2}$$

Chapter 16, Problem 28.

For the circuit in Fig. 16.62, find $v_o(t)$ for $t > 0$.

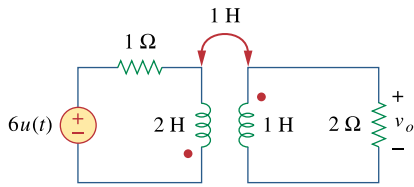
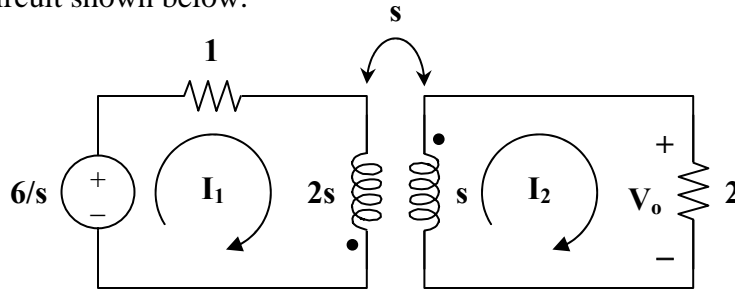


Figure 16.62

For Prob. 16.28.

Chapter 16, Solution 28.

Consider the circuit shown below.



For mesh 1,

$$\frac{6}{s} = (1 + 2s)I_1 + sI_2 \quad (1)$$

For mesh 2,

$$0 = sI_1 + (2 + s)I_2$$

$$I_1 = -\left(1 + \frac{2}{s}\right)I_2 \quad (2)$$

Substituting (2) into (1) gives

$$\frac{6}{s} = -(1 + 2s)\left(1 + \frac{2}{s}\right)I_2 + sI_2 = \frac{-(s^2 + 5s + 2)}{s}I_2$$

or
$$I_2 = \frac{-6}{s^2 + 5s + 2}$$

$$V_o = 2I_2 = \frac{-12}{s^2 + 5s + 2} = \frac{-12}{(s + 0.438)(s + 4.561)}$$

Since the roots of $s^2 + 5s + 2 = 0$ are -0.438 and -4.561 ,

$$V_o = \frac{A}{s + 0.438} + \frac{B}{s + 4.561}$$

$$A = \frac{-12}{4.123} = -2.91, \quad B = \frac{-12}{-4.123} = 2.91$$

$$V_o(s) = \frac{-2.91}{s + 0.438} + \frac{2.91}{s + 4.561}$$

$$v_o(t) = \underline{\underline{2.91[e^{-4.561t} - e^{0.438t}]} \mathbf{u}(t) \text{ V}}$$

Chapter 16, Problem 29.

For the ideal transformer circuit in Fig. 16.63, determine $i_o(t)$.

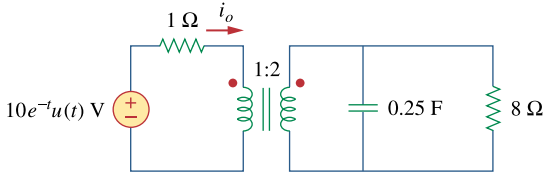
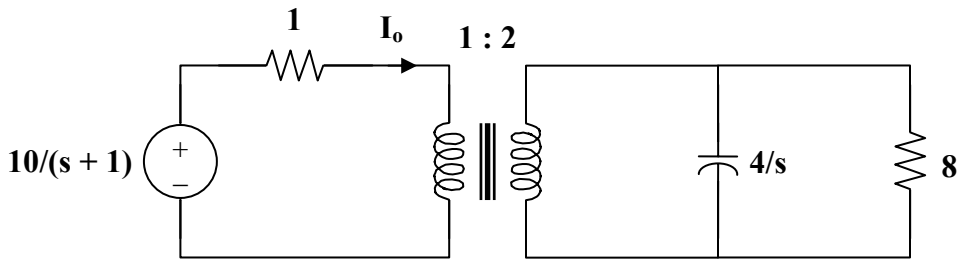


Figure 16.63

For Prob. 16.29.

Chapter 16, Solution 29.

Consider the following circuit.



$$\text{Let } Z_L = 8 \parallel \frac{4}{s} = \frac{(8)(4/s)}{8 + 4/s} = \frac{8}{2s + 1}$$

When this is reflected to the primary side,

$$Z_{in} = 1 + \frac{Z_L}{n^2}, \quad n = 2$$

$$Z_{in} = 1 + \frac{2}{2s + 1} = \frac{2s + 3}{2s + 1}$$

$$I_o = \frac{10}{s + 1} \cdot \frac{1}{Z_{in}} = \frac{10}{s + 1} \cdot \frac{2s + 1}{2s + 3}$$

$$I_o = \frac{10s + 5}{(s + 1)(s + 1.5)} = \frac{A}{s + 1} + \frac{B}{s + 1.5}$$

$$A = -10, \quad B = 20$$

$$I_o(s) = \frac{-10}{s + 1} + \frac{20}{s + 1.5}$$

$$i_o(t) = \underline{\underline{10[2e^{-1.5t} - e^{-t}]}u(t) \text{ A}}$$

Chapter 16, Problem 30.

The transfer function of a system is

$$H(s) = \frac{s^2}{3s+1}$$

Find the output when the system has an input of $4e^{-t/3}u(t)$.

Chapter 16, Solution 30.

$$Y(s) = H(s)X(s), \quad X(s) = \frac{4}{s+1/3} = \frac{12}{3s+1}$$

$$Y(s) = \frac{12s^2}{(3s+1)^2} = \frac{4}{3} - \frac{8s+4/3}{(3s+1)^2}$$

$$Y(s) = \frac{4}{3} - \frac{8}{9} \cdot \frac{s}{(s+1/3)^2} - \frac{4}{27} \cdot \frac{1}{(s+1/3)^2}$$

$$\text{Let } G(s) = \frac{-8}{9} \cdot \frac{s}{(s+1/3)^2}$$

Using the time differentiation property,

$$g(t) = \frac{-8}{9} \cdot \frac{d}{dt}(te^{-t/3}) = \frac{-8}{9} \left(\frac{-1}{3}te^{-t/3} + e^{-t/3} \right)$$

$$g(t) = \frac{8}{27}te^{-t/3} - \frac{8}{9}e^{-t/3}$$

Hence,

$$y(t) = \frac{4}{3}u(t) + \frac{8}{27}te^{-t/3} - \frac{8}{9}e^{-t/3} - \frac{4}{27}te^{-t/3}$$

$$y(t) = \underline{\underline{\frac{4}{3}u(t) - \frac{8}{9}e^{-t/3} + \frac{4}{27}te^{-t/3}}}$$

Chapter 16, Problem 31.

When the input to a system is a unit step function, the response is $10 \cos 2tu(t)$. Obtain the transfer function of the system.

Chapter 16, Solution 31.

$$x(t) = u(t) \longrightarrow X(s) = \frac{1}{s}$$

$$y(t) = 10 \cos(2t) \longrightarrow Y(s) = \frac{10s}{s^2 + 4}$$

$$H(s) = \frac{Y(s)}{X(s)} = \frac{10s^2}{\underline{s^2 + 4}}$$

Chapter 16, Problem 32.

A circuit is known to have its transfer function as

$$H(s) = \frac{s+3}{s^2+4s+5}$$

Find its output when:

- (a) the input is a unit step function
- (b) the input is $6te^{-2t}u(t)$.

Chapter 16, Solution 32.

$$(a) \quad Y(s) = H(s)X(s)$$

$$\begin{aligned} &= \frac{s+3}{s^2+4s+5} \cdot \frac{1}{s} \\ &= \frac{s+3}{s(s^2+4s+5)} = \frac{A}{s} + \frac{Bs+C}{s^2+4s+5} \end{aligned}$$

$$s+3 = A(s^2+4s+5) + Bs^2 + Cs$$

Equating coefficients :

$$s^0: \quad 3 = 5A \quad \longrightarrow \quad A = 3/5$$

$$s^1: \quad 1 = 4A + C \quad \longrightarrow \quad C = 1 - 4A = -7/5$$

$$s^2: \quad 0 = A + B \quad \longrightarrow \quad B = -A = -3/5$$

$$Y(s) = \frac{3/5}{s} - \frac{1}{5} \cdot \frac{3s+7}{s^2+4s+5}$$

$$Y(s) = \frac{0.6}{s} - \frac{1}{5} \cdot \frac{3(s+2)+1}{(s+2)^2+1}$$

$$y(t) = \underline{\underline{[0.6 - 0.6e^{-2t} \cos(t) - 0.2e^{-2t} \sin(t)]u(t)}}$$

$$(b) \quad x(t) = 6te^{-2t} \longrightarrow X(s) = \frac{6}{(s+2)^2}$$

$$Y(s) = H(s)X(s) = \frac{s+3}{s^2+4s+5} \cdot \frac{6}{(s+2)^2}$$

$$Y(s) = \frac{6(s+3)}{(s+2)^2(s^2+4s+5)} = \frac{A}{s+2} + \frac{B}{(s+2)^2} + \frac{Cs+D}{s^2+4s+5}$$

Equating coefficients :

$$s^3: \quad 0 = A + C \longrightarrow C = -A \quad (1)$$

$$s^2: \quad 0 = 6A + B + 4C + D = 2A + B + D \quad (2)$$

$$s^1: \quad 6 = 13A + 4B + 4C + 4D = 9A + 4B + 4D \quad (3)$$

$$s^0: \quad 18 = 10A + 5B + 4D = 2A + B \quad (4)$$

Solving (1), (2), (3), and (4) gives

$$A = 6, \quad B = 6, \quad C = -6, \quad D = -18$$

$$Y(s) = \frac{6}{s+2} + \frac{6}{(s+2)^2} - \frac{6s+18}{(s+2)^2+1}$$

$$Y(s) = \frac{6}{s+2} + \frac{6}{(s+2)^2} - \frac{6(s+2)}{(s+2)^2+1} - \frac{6}{(s+2)^2+1}$$

$$y(t) = \underline{\underline{[6e^{-2t} + 6te^{-2t} - 6e^{-2t} \cos(t) - 6e^{-2t} \sin(t)]u(t)}}$$

Chapter 16, Problem 33.

When a unit step is applied to a system at $t = 0$ its response is

$$y(t) = \left[4 + \frac{1}{2}e^{-3t} - e^{-2t} (2 \cos 4t + 3 \sin 4t) \right] u(t)$$

What is the transfer function of the system?

Chapter 16, Solution 33.

$$H(s) = \frac{Y(s)}{X(s)}, \quad X(s) = \frac{1}{s}$$

$$Y(s) = \frac{4}{s} + \frac{1}{2(s+3)} - \frac{2s}{(s+2)^2+16} - \frac{(3)(4)}{(s+2)^2+16}$$

$$H(s) = s Y(s) = \underline{\underline{4 + \frac{s}{2(s+3)} - \frac{2s(s+2)}{s^2+4s+20} - \frac{12s}{s^2+4s+20}}}$$

Chapter 16, Problem 34.

For the circuit in Fig. 16.64, find $H(s) = V_o(s)/V_s(s)$. Assume zero initial conditions.

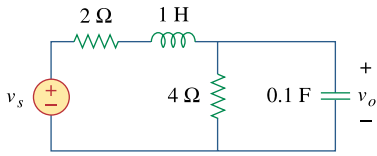
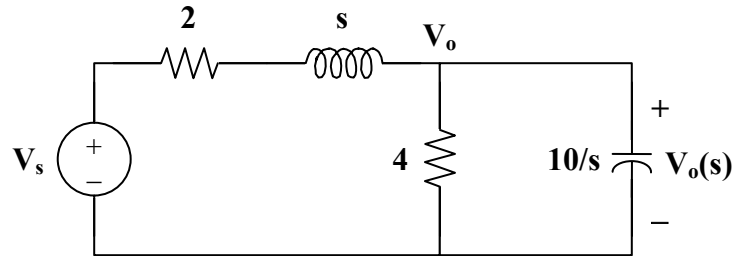


Figure 16.64

For Prob. 16.34.

Chapter 16, Solution 34.

Consider the following circuit.



Using nodal analysis,

$$\frac{V_s - V_o}{s + 2} = \frac{V_o}{4} + \frac{V_o}{10/s}$$

$$V_s = (s + 2) \left(\frac{1}{s + 2} + \frac{1}{4} + \frac{s}{10} \right) V_o = \left(1 + \frac{1}{4}(s + 2) + \frac{1}{10}(s^2 + 2s) \right) V_o$$

$$V_s = \frac{1}{20} (2s^2 + 9s + 30) V_o$$

$$\frac{V_o}{V_s} = \frac{20}{2s^2 + 9s + 30}$$

Chapter 16, Problem 35.

Obtain the transfer function $H(s) = V_o/V_s$ for the circuit of Fig. 16.65.

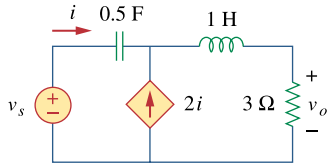
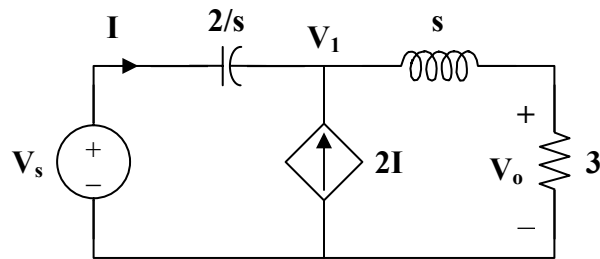


Figure 16.65

For Prob. 16.35.

Chapter 16, Solution 35.

Consider the following circuit.



At node 1,

$$2I + I = \frac{V_1}{s+3}, \quad \text{where } I = \frac{V_s - V_1}{2/s}$$

$$3 \cdot \frac{V_s - V_1}{2/s} = \frac{V_1}{s+3}$$

$$\frac{V_1}{s+3} = \frac{3s}{2} V_s - \frac{3s}{2} V_1$$

$$\left(\frac{1}{s+3} + \frac{3s}{2} \right) V_1 = \frac{3s}{2} V_s$$

$$V_1 = \frac{3s(s+3)}{3s^2 + 9s + 2} V_s$$

$$V_o = \frac{3}{s+3} V_1 = \frac{9s}{3s^2 + 9s + 2} V_s$$

$$H(s) = \frac{V_o}{V_s} = \frac{9s}{\underline{3s^2 + 9s + 2}}$$

Chapter 16, Problem 36.

The transfer function of a certain circuit is

$$H(s) = \frac{5}{s+1} - \frac{3}{s+2} + \frac{6}{s+4}$$

Find the impulse response of the circuit.

Chapter 16, Solution 36.

Taking the inverse Laplace transform of each term gives

$$h(t) = \underline{(5e^{-t} - 3e^{-2t} + 6e^{-4t})u(t)}$$

Chapter 16, Problem 37.

For the circuit in Fig. 16.66, find:

- (a) I_1/V_s (b) I_2/V_x

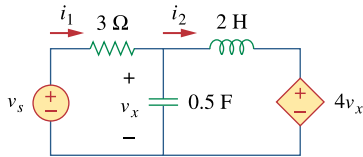
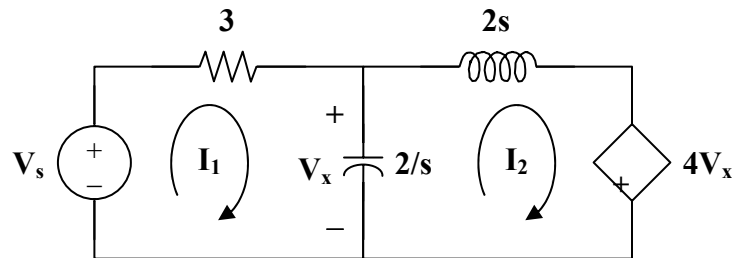


Figure 16.66

For Prob. 16.37.

Chapter 16, Solution 37.

- (a) Consider the circuit shown below.



For loop 1,

$$V_s = \left(3 + \frac{2}{s}\right)I_1 - \frac{2}{s}I_2 \quad (1)$$

For loop 2,

$$4V_x + \left(2s + \frac{2}{s}\right)I_2 - \frac{2}{s}I_1 = 0$$

But, $V_x = (I_1 - I_2)\left(\frac{2}{s}\right)$

So, $\frac{8}{s}(I_1 - I_2) + \left(2s + \frac{2}{s}\right)I_2 - \frac{2}{s}I_1 = 0$

$$0 = \frac{-6}{s}I_1 + \left(\frac{6}{s} - 2s\right)I_2 \quad (2)$$

In matrix form, (1) and (2) become

$$\begin{bmatrix} \mathbf{V}_s \\ 0 \end{bmatrix} = \begin{bmatrix} 3 + 2/s & -2/s \\ -6/s & 6/s - 2s \end{bmatrix} \begin{bmatrix} \mathbf{I}_1 \\ \mathbf{I}_2 \end{bmatrix}$$

$$\Delta = \left(3 + \frac{2}{s}\right)\left(\frac{6}{s} - 2s\right) - \left(\frac{6}{s}\right)\left(\frac{2}{s}\right)$$

$$\Delta = \frac{18}{s} - 6s - 4$$

$$\Delta_1 = \left(\frac{6}{s} - 2s\right)\mathbf{V}_s, \quad \Delta_2 = \frac{6}{s}\mathbf{V}_s$$

$$\mathbf{I}_1 = \frac{\Delta_1}{\Delta} = \frac{(6/s - 2s)}{18/s - 4 - 6s}\mathbf{V}_s$$

$$\frac{\mathbf{I}_1}{\mathbf{V}_s} = \frac{3/s - s}{9/s - 2 - 3} = \frac{s^2 - 3}{\underline{\underline{3s^2 + 2s - 9}}}$$

$$(b) \quad \mathbf{I}_2 = \frac{\Delta_2}{\Delta}$$

$$\mathbf{V}_x = \frac{2}{s}(\mathbf{I}_1 - \mathbf{I}_2) = \frac{2}{s}\left(\frac{\Delta_1 - \Delta_2}{\Delta}\right)$$

$$\mathbf{V}_x = \frac{2/s \mathbf{V}_s (6/s - 2s - 6/s)}{\Delta} = \frac{-4\mathbf{V}_s}{\Delta}$$

$$\frac{\mathbf{I}_2}{\mathbf{V}_x} = \frac{6/s \mathbf{V}_s}{-4\mathbf{V}_s} = \frac{-3}{\underline{\underline{2s}}}$$

Chapter 16, Problem 38.

Refer to the network in Fig. 16.67. Find the following transfer functions:

(a) $H_1(s) = V_0(s)/V_s(s)$

(b) $H_2(s) = V_0(s)/I_s(s)$

(c) $H_3(s) = I_0(s)/I_s(s)$

(d) $H_4(s) = I_0(s)/V_s(s)$

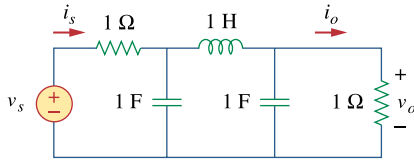
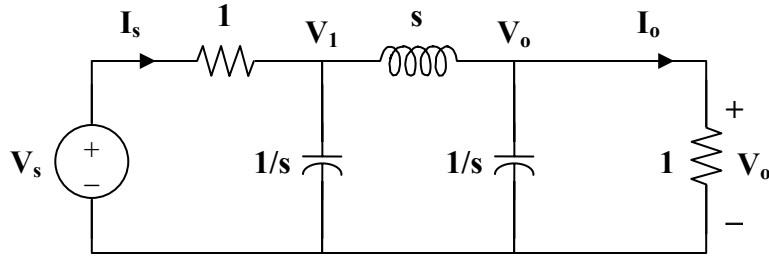


Figure 16.67

For Prob. 16.38.

Chapter 16, Solution 38.

(a) Consider the following circuit.



At node 1,

$$\frac{V_s - V_1}{1} = sV_1 + \frac{V_1 - V_o}{s}$$

$$V_s = \left(1 + s + \frac{1}{s}\right)V_1 - \frac{1}{s}V_o \quad (1)$$

At node o,

$$\frac{V_1 - V_o}{s} = sV_o + V_o = (s+1)V_o$$

$$V_1 = (s^2 + s + 1)V_o \quad (2)$$

Substituting (2) into (1)

$$V_s = (s + 1 + 1/s)(s^2 + s + 1)V_o - 1/s V_o$$

$$V_s = (s^3 + 2s^2 + 3s + 2)V_o$$

$$H_1(s) = \frac{V_o}{V_s} = \frac{1}{\underline{s^3 + 2s^2 + 3s + 2}}$$

(b) $I_s = V_s - V_1 = (s^3 + 2s^2 + 3s + 2)V_o - (s^2 + s + 1)V_o$
 $I_s = (s^3 + s^2 + 2s + 1)V_o$

$$H_2(s) = \frac{V_o}{I_s} = \frac{1}{\underline{s^3 + s^2 + 2s + 1}}$$

(c) $I_o = \frac{V_o}{1}$

$$H_3(s) = \frac{I_o}{I_s} = \frac{V_o}{I_s} = H_2(s) = \frac{1}{\underline{s^3 + s^2 + 2s + 1}}$$

(d) $H_4(s) = \frac{I_o}{V_s} = \frac{V_o}{V_s} = H_1(s) = \frac{1}{\underline{s^3 + 2s^2 + 3s + 2}}$

Chapter 16, Problem 39.

Calculate the gain $H(s) = V_o/V_s$ in the op amp circuit of Fig. 16.68.

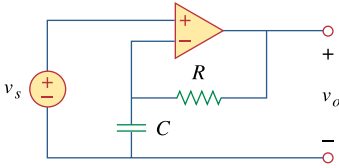
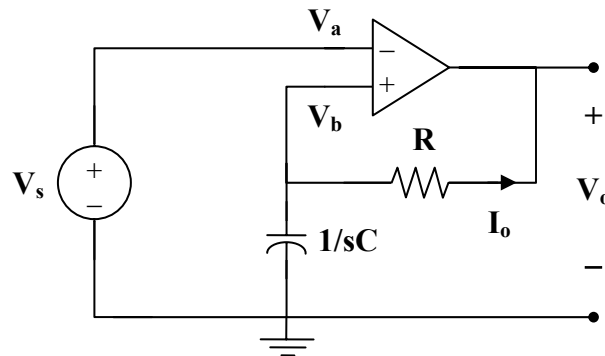


Figure 16.68

For Prob. 16.39.

Chapter 16, Solution 39.

Consider the circuit below.



Since no current enters the op amp, I_o flows through both R and C .

$$V_o = -I_o \left(R + \frac{1}{sC} \right)$$

$$V_a = V_b = V_s = \frac{-I_o}{sC}$$

$$H(s) = \frac{V_o}{V_s} = \frac{R + 1/sC}{1/sC} = \underline{\underline{sRC + 1}}$$

Chapter 16, Problem 40.

Refer to the RL circuit in Fig. 16.69. Find:

- (a) the impulse response $h(t)$ of the circuit.
- (b) the unit step response of the circuit.

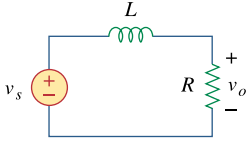


Figure 16.69

For Prob. 16.40.

Chapter 16, Solution 40.

$$(a) \quad H(s) = \frac{V_o}{V_s} = \frac{R}{R + sL} = \frac{R/L}{s + R/L}$$

$$h(t) = \underline{\underline{\frac{R}{L} e^{-Rt/L} u(t)}}$$

$$(b) \quad v_s(t) = u(t) \longrightarrow V_s(s) = 1/s$$

$$V_o = \frac{R/L}{s + R/L} V_s = \frac{R/L}{s(s + R/L)} = \frac{A}{s} + \frac{B}{s + R/L}$$

$$A = 1, \quad B = -1$$

$$V_o = \frac{1}{s} - \frac{1}{s + R/L}$$

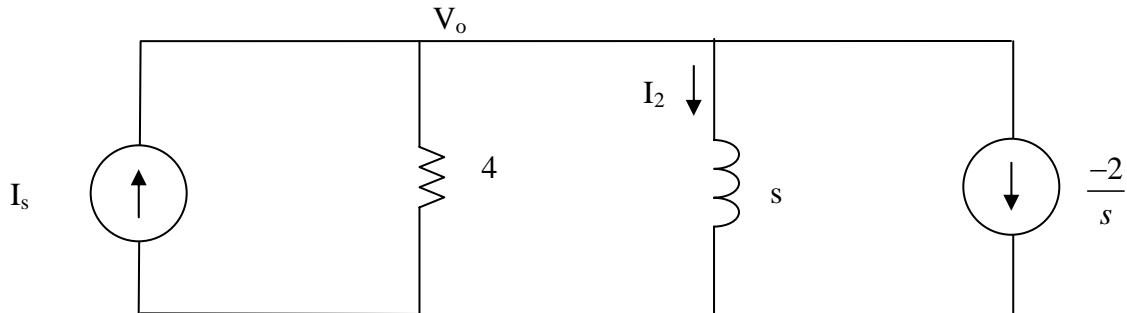
$$v_o(t) = u(t) - e^{-Rt/L} u(t) = \underline{\underline{(1 - e^{-Rt/L}) u(t)}}$$

Chapter 16, Problem 41.

A parallel RL circuit has $R = 4\Omega$ and $L = 1$ H. The input to the circuit is $i_s(t) = 2e^{-t}u(t)$ A. Find the inductor current $i_L(t)$ for all $t > 0$ and assume that $i_L(0) = -2$ A.

Chapter 16, Solution 41.

Consider the circuit as shown below.



$$I_s = \frac{V_o}{4} + \frac{V_o}{s} - \frac{2}{s}$$

But $I_s = \frac{2}{s+1}$

$$\frac{2}{s+1} = V_o \left(\frac{1}{4} + \frac{1}{s} \right) - \frac{2}{s} \quad \longrightarrow \quad V_o \left(\frac{s+4}{4s} \right) = \frac{2}{s+1} + \frac{2}{s} = \frac{4s+2}{s(s+1)}$$

$$V_o = \frac{8(2s+1)}{(s+1)(s+4)}$$

$$I_L = \frac{V_o}{s} = \frac{8(2s+1)}{s(s+1)(s+4)} = \frac{A}{s} + \frac{B}{s+1} + \frac{C}{s+4}$$

$$A = \frac{8(1)}{(1)(4)} = 2, \quad B = \frac{8(-2+1)}{(-1)(2)} = 8/3, \quad C = \frac{8(-8+1)}{(-4)(-3)} = -14/3$$

$$I_L = \frac{V_o}{s} = \frac{2}{s} + \frac{8/3}{s+1} + \frac{-14/3}{s+4}$$

$$i_L(t) = \left(2 + \frac{8}{3}e^{-t} - \frac{14}{3}e^{-4t} \right) u(t) = \left(2 + \frac{8}{3}e^{-t} - \frac{14}{3}e^{-4t} \right) u(t) \text{ A}$$

Chapter 16, Problem 42.

A circuit has a transfer function

$$H(s) = \frac{s+4}{(s+1)(s+2)^2}$$

Find the impulse response.

Chapter 16, Solution 42.

$$H(s) = \frac{s+4}{(s+1)(s+2)^2} = \frac{A}{s+1} + \frac{B}{s+2} + \frac{C}{(s+2)^2}$$

$$s+4 = A(s+2)^2 + B(s+1)(s+2) + C(s+1) = A(s^2 + 2s + 4) + B(s^2 + 3s + 2) + C(s+1)$$

We equate coefficients.

$$s^2: \quad 0 = A + B \text{ or } B = -A$$

$$s: \quad 1 = 4A + 3B + C = B + C$$

$$\text{constant: } 4 = 4A + 2B + C = 2A + C$$

Solving these gives $A=3$, $B=-3$, $C=-2$

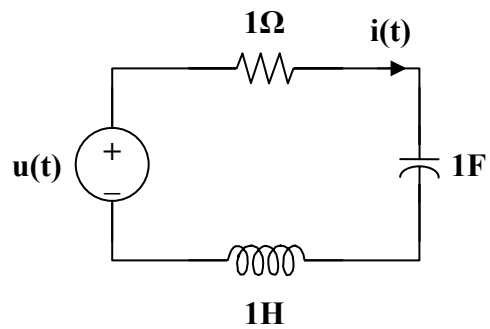
$$H(s) = \frac{3}{s+1} - \frac{3}{s+2} - \frac{2}{(s+2)^2}$$

$$h(t) = \underline{(3e^{-t} - 3e^{-2t} - 2te^{-2t})u(t)}$$

Chapter 16, Problem 43.

Develop the state equations for Prob. 16.1.

Chapter 16, Solution 43.



First select the inductor current i_L and the capacitor voltage v_C to be the state variables.

Applying KVL we get:

$$-u(t) + i + v_C + i' = 0; \quad i = v_C'$$

Thus,

$$v_C' = i$$

$$i' = -v_C - i + u(t)$$

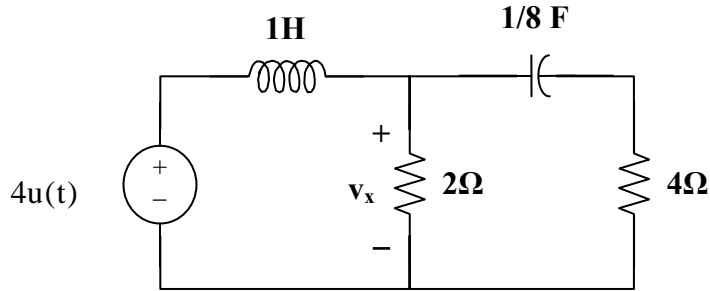
Finally we get,

$$\begin{bmatrix} v_C' \\ i' \end{bmatrix} = \begin{bmatrix} 0 & 1 \\ -1 & -1 \end{bmatrix} \begin{bmatrix} v_C \\ i \end{bmatrix} + \begin{bmatrix} 0 \\ 1 \end{bmatrix} u(t); \quad i(t) = \begin{bmatrix} 0 & 1 \end{bmatrix} \begin{bmatrix} v_C \\ i \end{bmatrix} + \begin{bmatrix} 0 \end{bmatrix} u(t)$$

Chapter 16, Problem 44.

Develop the state equations for Prob. 16.2.

Chapter 16, Solution 44.



First select the inductor current i_L and the capacitor voltage v_C to be the state variables.

Applying KCL we get:

$$-i_L + \frac{v_x}{2} + \frac{v_C}{8} = 0; \text{ or } v_C' = 8i_L - 4v_x$$

$$i_L' = 4u(t) - v_x$$

$$v_x = v_C + 4 \frac{v_C'}{8} = v_C + \frac{v_C'}{2} = v_C + 4i_L - 2v_x; \text{ or } v_x = 0.3333v_C + 1.3333i_L$$

$$v_C' = 8i_L - 1.3333v_C - 5.3333i_L = -1.3333v_C + 2.666i_L$$

$$i_L' = 4u(t) - 0.3333v_C - 1.3333i_L$$

Now we can write the state equations.

$$\begin{bmatrix} v_C' \\ i_L' \end{bmatrix} = \begin{bmatrix} -1.3333 & 2.666 \\ -0.3333 & -1.3333 \end{bmatrix} \begin{bmatrix} v_C \\ i_L \end{bmatrix} + \begin{bmatrix} 0 \\ 4 \end{bmatrix} u(t); \quad v_x = \begin{bmatrix} 0.3333 \\ 1.3333 \end{bmatrix} \begin{bmatrix} v_C \\ i_L \end{bmatrix}$$

Chapter 16, Problem 45.

Develop the state equations for the circuit shown in Fig. 16.70.

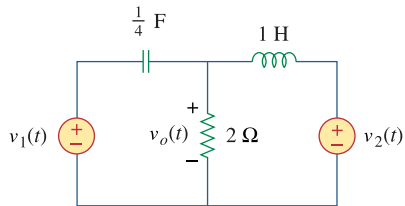
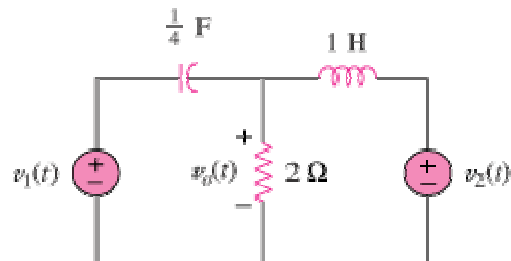


Figure 16.70

For Prob. 16.45.

Chapter 16, Solution 45.



First select the inductor current i_L (current flowing left to right) and the capacitor voltage v_C (voltage positive on the left and negative on the right) to be the state variables.

Applying KCL we get:

$$-\frac{v_C'}{4} + \frac{v_o}{2} + i_L = 0 \text{ or } v_C' = 4i_L + 2v_o$$

$$i_L' = v_o - v_2$$

$$v_o = -v_C + v_1$$

$$v_C' = 4i_L - 2v_C + 2v_1$$

$$i_L' = -v_C + v_1 - v_2$$

$$\begin{bmatrix} i_L' \\ v_C' \end{bmatrix} = \begin{bmatrix} 0 & -1 \\ 4 & -2 \end{bmatrix} \begin{bmatrix} i_L \\ v_C \end{bmatrix} + \begin{bmatrix} 1 & -1 \\ 2 & 0 \end{bmatrix} \begin{bmatrix} v_1(t) \\ v_2(t) \end{bmatrix}; \quad v_o(t) = \begin{bmatrix} 0 & -1 \end{bmatrix} \begin{bmatrix} i_L \\ v_C \end{bmatrix} + \begin{bmatrix} 1 & 0 \end{bmatrix} \begin{bmatrix} v_1(t) \\ v_2(t) \end{bmatrix}$$

Chapter 16, Problem 46.

Develop the state equations for the circuit shown in Fig. 16.71.

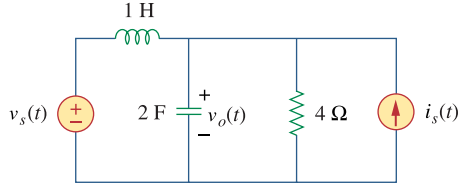
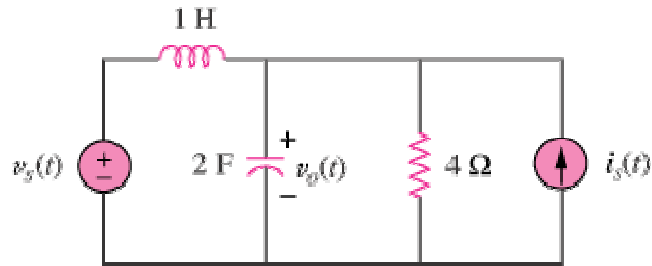


Figure 16.71
For Prob. 16.46.

Chapter 16, Solution 46.



First select the inductor current i_L (left to right) and the capacitor voltage v_C to be the state variables.

Letting $v_o = v_C$ and applying KCL we get:

$$-i_L + v_C' + \frac{v_C}{4} - i_s = 0 \text{ or } v_C' = -0.25v_C + i_L + i_s$$

$$i_L' = -v_C + v_s$$

Thus,

$$\begin{bmatrix} v_C' \\ i_L' \end{bmatrix} = \begin{bmatrix} -0.25 & 1 \\ -1 & 0 \end{bmatrix} \begin{bmatrix} v_C \\ i_L \end{bmatrix} + \begin{bmatrix} 0 & 1 \\ 1 & 0 \end{bmatrix} \begin{bmatrix} v_s \\ i_s \end{bmatrix}; \quad v_o(t) = \begin{bmatrix} 1 \\ 0 \end{bmatrix} \begin{bmatrix} v_C \\ i_L \end{bmatrix} + \begin{bmatrix} 0 & 0 \\ 0 & 0 \end{bmatrix} \begin{bmatrix} v_s \\ i_s \end{bmatrix}$$

Chapter 16, Problem 47.

Develop the state equations for the circuit shown in Fig. 16.72.

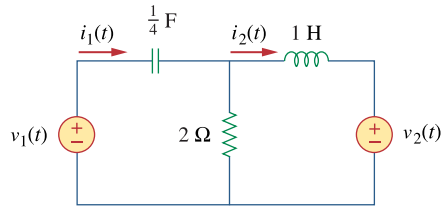
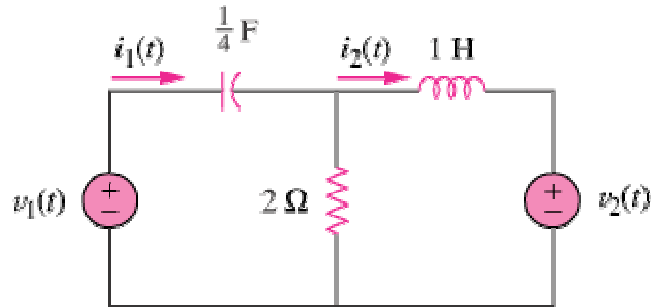


Figure 16.72
For Prob. 16.47.

Chapter 16, Solution 47.



First select the inductor current i_L (left to right) and the capacitor voltage v_C (+ on the left) to be the state variables.

Letting $i_1 = \frac{v_C'}{4}$ and $i_2 = i_L$ and applying KVL we get:

Loop 1:

$$-v_1 + v_C + 2\left(\frac{v_C'}{4} - i_L\right) = 0 \text{ or } v_C' = 4i_L - 2v_C + 2v_1$$

Loop 2:

$$2\left(i_L - \frac{v_C'}{4}\right) + i_L' + v_2 = 0 \text{ or}$$

$$i_L' = -2i_L + \frac{4i_L - 2v_C + 2v_1}{2} - v_2 = -v_C + v_1 - v_2$$

$$i_1 = \frac{4i_L - 2v_C + 2v_1}{4} = i_L - 0.5v_C + 0.5v_1$$

$$\begin{bmatrix} i_L' \\ v_C' \end{bmatrix} = \begin{bmatrix} 0 & -1 \\ 4 & -2 \end{bmatrix} \begin{bmatrix} i_L \\ v_C \end{bmatrix} + \begin{bmatrix} 1 & -1 \\ 2 & 0 \end{bmatrix} \begin{bmatrix} v_1(t) \\ v_2(t) \end{bmatrix}; \begin{bmatrix} i_1(t) \\ i_2(t) \end{bmatrix} = \begin{bmatrix} 1 & -0.5 \\ 1 & 0 \end{bmatrix} \begin{bmatrix} i_L \\ v_C \end{bmatrix} + \begin{bmatrix} 0.5 & 0 \\ 0 & 0 \end{bmatrix} \begin{bmatrix} v_1(t) \\ v_2(t) \end{bmatrix}$$

Chapter 16, Problem 48.

Develop the state equations for the following differential equation.

$$\frac{d^2 y(t)}{dt^2} + \frac{4dy(t)}{dt} + 3y(t) = z(t)$$

Chapter 16, Solution 48.

Let $x_1 = y(t)$. Thus, $x_1' = y' = x_2$ and $x_2' = y'' = -3x_1 - 4x_2 + z(t)$

This gives our state equations.

$$\begin{bmatrix} x_1' \\ x_2' \end{bmatrix} = \begin{bmatrix} 0 & 1 \\ -3 & -4 \end{bmatrix} \begin{bmatrix} x_1 \\ x_2 \end{bmatrix} + \begin{bmatrix} 0 \\ 1 \end{bmatrix} z(t); \quad y(t) = \begin{bmatrix} 1 & 0 \end{bmatrix} \begin{bmatrix} x_1 \\ x_2 \end{bmatrix} + \begin{bmatrix} 0 \end{bmatrix} z(t)$$

Chapter 16, Problem 49.

* Develop the state equations for the following differential equation.

$$\frac{d^2 y(t)}{dt^2} + \frac{5dy(t)}{dt} + 6y(t) = \frac{dz(t)}{dt} z(t)$$

* An asterisk indicates a challenging problem.

Chapter 16, Solution 49.

Let $x_1 = y(t)$ and $x_2 = x_1' - z = y' - z$ or $y' = x_2 + z$

Thus,

$$x_2' = y'' - z' = -6x_1 - 5(x_2 + z) + z' + 2z - z' = -6x_1 - 5x_2 - 3z$$

This now leads to our state equations,

$$\begin{bmatrix} x_1' \\ x_2' \end{bmatrix} = \begin{bmatrix} 0 & 1 \\ -6 & -5 \end{bmatrix} \begin{bmatrix} x_1 \\ x_2 \end{bmatrix} + \begin{bmatrix} 1 \\ -3 \end{bmatrix} z(t); \quad y(t) = \begin{bmatrix} 1 & 0 \end{bmatrix} \begin{bmatrix} x_1 \\ x_2 \end{bmatrix} + \begin{bmatrix} 0 \end{bmatrix} z(t)$$

PROPRIETARY MATERIAL. © 2007 The McGraw-Hill Companies, Inc. All rights reserved. No part of this Manual may be displayed, reproduced or distributed in any form or by any means, without the prior written permission of the publisher, or used beyond the limited distribution to teachers and educators permitted by McGraw-Hill for their individual course preparation. If you are a student using this Manual, you are using it without permission.

Chapter 16, Problem 50.

* Develop the state equations for the following differential equation.

$$\frac{d^3 y(t)}{dt^3} + \frac{6d^2 y(t)}{dt^2} + \frac{11dy(t)}{dt} + 6y(t) = z(t)$$

* An asterisk indicates a challenging problem.

Chapter 16, Solution 50.

Let $x_1 = y(t)$, $x_2 = \dot{x}_1$, and $x_3 = \dot{x}_2$.

Thus,

$$\ddot{x}_3 = -6x_1 - 11x_2 - 6x_3 + z(t)$$

We can now write our state equations.

$$\begin{bmatrix} \dot{x}_1 \\ \dot{x}_2 \\ \dot{x}_3 \end{bmatrix} = \begin{bmatrix} 0 & 1 & 0 \\ 0 & 0 & 1 \\ -6 & -11 & -6 \end{bmatrix} \begin{bmatrix} x_1 \\ x_2 \\ x_3 \end{bmatrix} + \begin{bmatrix} 0 \\ 0 \\ 1 \end{bmatrix} z(t); \quad y(t) = \begin{bmatrix} 1 & 0 & 0 \end{bmatrix} \begin{bmatrix} x_1 \\ x_2 \\ x_3 \end{bmatrix} + \begin{bmatrix} 0 \end{bmatrix} z(t)$$

Chapter 16, Problem 51.

* Given the following state equation, solve for $y(t)$:

$$\dot{\mathbf{x}} = \begin{bmatrix} -4 & 4 \\ -2 & 0 \end{bmatrix} \mathbf{x} + \begin{bmatrix} 0 \\ 2 \end{bmatrix} u(t)$$

$$y(t) = [1 \quad 0] \mathbf{x}$$

* An asterisk indicates a challenging problem.

Chapter 16, Solution 51.

We transform the state equations into the s-domain and solve using Laplace transforms.

$$s\mathbf{X}(s) - \mathbf{x}(0) = \mathbf{A}\mathbf{X}(s) + \mathbf{B}\left(\frac{1}{s}\right)$$

Assume the initial conditions are zero.

$$(s\mathbf{I} - \mathbf{A})\mathbf{X}(s) = \mathbf{B}\left(\frac{1}{s}\right)$$

$$\mathbf{X}(s) = \begin{bmatrix} s+4 & -4 \\ 2 & s \end{bmatrix}^{-1} \begin{bmatrix} 0 \\ 2 \end{bmatrix} \left(\frac{1}{s}\right) = \frac{1}{s^2 + 4s + 8} \begin{bmatrix} s & 4 \\ 2 & s+4 \end{bmatrix} \begin{bmatrix} 0 \\ 2/s \end{bmatrix}$$

$$\begin{aligned} Y(s) = X_1(s) &= \frac{8}{s(s^2 + 4s + 8)} = \frac{1}{s} + \frac{-s-4}{s^2 + 4s + 8} \\ &= \frac{1}{s} + \frac{-s-4}{(s+2)^2 + 2^2} = \frac{1}{s} + \frac{-(s+2)}{(s+2)^2 + 2^2} + \frac{-2}{(s+2)^2 + 2^2} \end{aligned}$$

$$y(t) = \underline{\underline{\left(1 - e^{-2t}(\cos 2t + \sin 2t)\right)u(t)}}$$

Chapter 16, Problem 52.

* Given the following state equation, solve for $y_1(t)$.

$$\dot{\mathbf{x}} = \begin{bmatrix} -2 & -1 \\ 2 & -4 \end{bmatrix} \mathbf{x} + \begin{bmatrix} 1 & 1 \\ 4 & 0 \end{bmatrix} \begin{bmatrix} u(t) \\ 2u(t) \end{bmatrix}$$

$$\mathbf{y} = \begin{bmatrix} -2 & -2 \\ 1 & -0 \end{bmatrix} \mathbf{x} + \begin{bmatrix} 2 & 0 \\ 0 & -1 \end{bmatrix} \begin{bmatrix} u(t) \\ 2u(t) \end{bmatrix}$$

* An asterisk indicates a challenging problem.

Chapter 16, Solution 52.

Assume that the initial conditions are zero. Using Laplace transforms we get,

$$\mathbf{X}(s) = \begin{bmatrix} s+2 & 1 \\ -2 & s+4 \end{bmatrix}^{-1} \begin{bmatrix} 1 & 1 \\ 4 & 0 \end{bmatrix} \begin{bmatrix} 1/s \\ 2/s \end{bmatrix} = \frac{1}{s^2 + 6s + 10} \begin{bmatrix} s+4 & -1 \\ 2 & s+2 \end{bmatrix} \begin{bmatrix} 3/s \\ 4/s \end{bmatrix}$$

$$\begin{aligned} X_1 &= \frac{3s+8}{s((s+3)^2 + 1^2)} = \frac{0.8}{s} + \frac{-0.8s-1.8}{(s+3)^2 + 1^2} \\ &= \frac{0.8}{s} - 0.8 \frac{s+3}{(s+3)^2 + 1^2} + .6 \frac{1}{(s+3)^2 + 1^2} \end{aligned}$$

$$x_1(t) = (0.8 - 0.8e^{-3t} \cos t + 0.6e^{-3t} \sin t)u(t)$$

$$\begin{aligned} X_2 &= \frac{4s+14}{s((s+3)^2 + 1^2)} = \frac{1.4}{s} + \frac{-1.4s-4.4}{(s+3)^2 + 1^2} \\ &= \frac{1.4}{s} - 1.4 \frac{s+3}{(s+3)^2 + 1^2} - 0.2 \frac{1}{(s+3)^2 + 1^2} \end{aligned}$$

$$x_2(t) = (1.4 - 1.4e^{-3t} \cos t - 0.2e^{-3t} \sin t)u(t)$$

$$\begin{aligned} y_1(t) &= -2x_1(t) - 2x_2(t) + 2u(t) \\ &= \underline{\underline{(-2.4 + 4.4e^{-3t} \cos t - 0.8e^{-3t} \sin t)u(t)}} \end{aligned}$$

$$y_2(t) = x_1(t) - 2u(t) = \underline{\underline{(-1.2 - 0.8e^{-3t} \cos t + 0.6e^{-3t} \sin t)u(t)}}$$

Chapter 16, Problem 53.

Show that the parallel RLC circuit shown in Fig. 16.73 is stable.

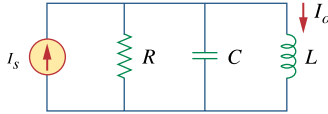


Figure 16.73

For Prob. 16.53.

Chapter 16, Solution 53.

If V_o is the voltage across R , applying KCL at the non-reference node gives

$$I_s = \frac{V_o}{R} + sC V_o + \frac{V_o}{sL} = \left(\frac{1}{R} + sC + \frac{1}{sL} \right) V_o$$

$$V_o = \frac{I_s}{\frac{1}{R} + sC + \frac{1}{sL}} = \frac{sRL I_s}{sL + R + s^2RLC}$$

$$I_o = \frac{V_o}{R} = \frac{sL I_s}{s^2RLC + sL + R}$$

$$H(s) = \frac{I_o}{I_s} = \frac{sL}{s^2RLC + sL + R} = \frac{s/RC}{s^2 + s/RC + 1/LC}$$

The roots

$$s_{1,2} = \frac{-1}{2RC} \pm \sqrt{\left(\frac{1}{2RC}\right)^2 - \frac{1}{LC}}$$

both lie in the left half plane since R , L , and C are positive quantities.

Thus, **the circuit is stable.**

Chapter 16, Problem 54.

A system is formed by cascading two systems as shown in Fig. 16.74. Given that the impulse response of the systems are

$$h_1(t) = 3e^{-t} u(t), \quad h_2(t) = e^{-4t} u(t)$$

- (a) Obtain the impulse response of the overall system.
- (b) Check if the overall system is stable.



Figure 16.74

For Prob. 16.54.

Chapter 16, Solution 54.

$$(a) \quad H_1(s) = \frac{3}{s+1}, \quad H_2(s) = \frac{1}{s+4}$$

$$H(s) = H_1(s)H_2(s) = \frac{3}{(s+1)(s+4)}$$

$$h(t) = \mathcal{L}^{-1}[H(s)] = \mathcal{L}^{-1}\left[\frac{A}{s+1} + \frac{B}{s+4}\right]$$

$$A = 1, \quad B = -1$$

$$h(t) = \underline{\underline{(e^{-t} - e^{-4t})u(t)}}$$

- (b) Since the poles of $H(s)$ all lie in the left half s -plane, **the system is stable.**

Chapter 16, Problem 55.

Determine whether the op amp circuit in Fig. 16.75 is stable.

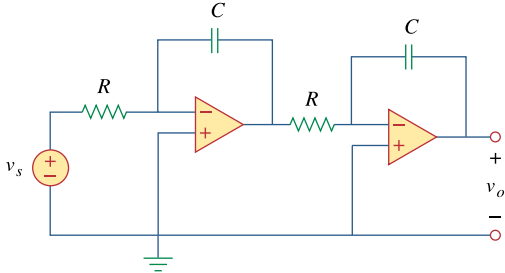


Figure 16.75
For Prob. 16.55.

Chapter 16, Solution 55.

Let V_{o1} be the voltage at the output of the first op amp.

$$\frac{V_{o1}}{V_s} = \frac{-1/sC}{R} = \frac{-1}{sRC}, \quad \frac{V_o}{V_{o1}} = \frac{-1}{sRC}$$

$$H(s) = \frac{V_o}{V_s} = \frac{1}{s^2 R^2 C^2}$$

$$h(t) = \frac{t}{R^2 C^2}$$

$$\lim_{t \rightarrow \infty} h(t) = \infty, \text{ i.e. the output is unbounded.}$$

Hence, **the circuit is unstable.**

Chapter 16, Problem 56.

It is desired to realize the transfer function

$$\frac{V_2(s)}{V_1(s)} = \frac{2s}{s^2 + 2s + 6}$$

using the circuit in Fig. 16.76. Choose $R = 1 \text{ k}\Omega$ and find L and C .

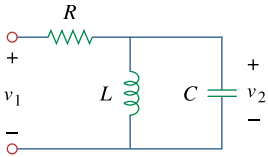


Figure 16.76

For Prob. 16.56.

Chapter 16, Solution 56.

$$sL \parallel \frac{1}{sC} = \frac{sL \cdot \frac{1}{sC}}{sL + \frac{1}{sC}} = \frac{sL}{1 + s^2LC}$$

$$\frac{V_2}{V_1} = \frac{\frac{sL}{1 + s^2LC}}{R + \frac{sL}{1 + s^2LC}} = \frac{sL}{s^2RLC + sL + R}$$

$$\frac{V_2}{V_1} = \frac{s \cdot \frac{1}{RC}}{s^2 + s \cdot \frac{1}{RC} + \frac{1}{LC}}$$

Comparing this with the given transfer function,

$$2 = \frac{1}{RC}, \quad 6 = \frac{1}{LC}$$

$$\text{If } R = 1 \text{ k}\Omega, \quad C = \frac{1}{2R} = \underline{\underline{500 \mu\text{F}}}$$

$$L = \frac{1}{6C} = \underline{\underline{333.3 \text{ H}}}$$

Chapter 16, Problem 57.

ed

Design an op amp circuit, using Fig. 16.77, that will realize the following transfer function:

$$\frac{V_o(s)}{V_i(s)} = -\frac{s + 1,000}{2(s + 4,000)}$$

Choose $C_1 = 10 \mu\text{F}$; determine R_1 , R_2 , and C_2

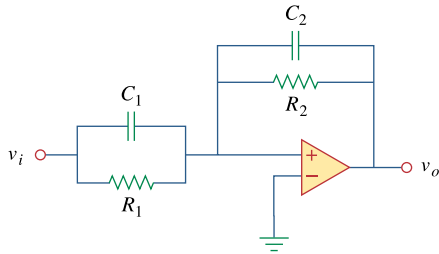
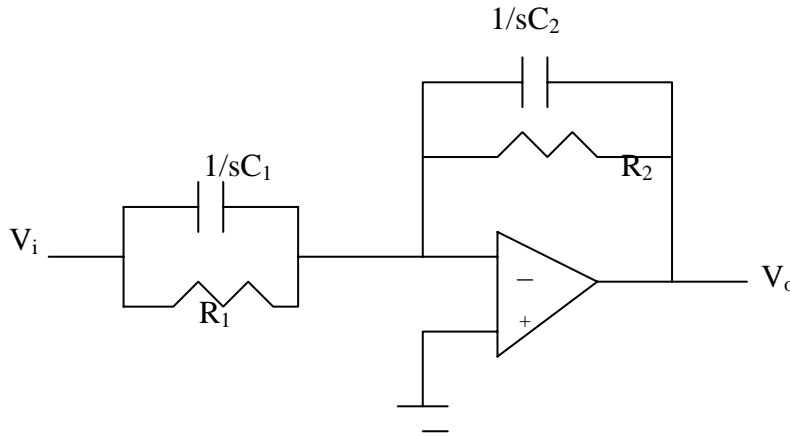


Figure 16.77
For Prob. 16.57.

Chapter 16, Solution 57.

The circuit is transformed in the s-domain as shown below.



$$\text{Let } Z_1 = R_1 // \frac{1}{sC_1} = \frac{R_1 \frac{1}{sC_1}}{R_1 + \frac{1}{sC_1}} = \frac{R_1}{1 + sR_1C_1}$$

$$Z_2 = R_2 // \frac{1}{sC_2} = \frac{R_2 \frac{1}{sC_2}}{R_2 + \frac{1}{sC_2}} = \frac{R_2}{1 + sR_2C_2}$$

This is an inverting amplifier.

$$H(s) = \frac{V_o}{V_i} = -\frac{Z_2}{Z_1} = -\frac{\frac{R_2}{1 + sR_2C_2}}{\frac{R_1}{1 + sR_1C_1}} = -\frac{R_2}{R_1} \frac{R_1C_1}{R_2C_2} \left[\frac{s + \frac{1}{R_1C_1}}{s + \frac{1}{R_2C_2}} \right] = \frac{-C_1}{C_2} \left[\frac{s + \frac{1}{R_1C_1}}{s + \frac{1}{R_2C_2}} \right]$$

Comparing this with

$$H(s) = -\frac{(s+1000)}{2(s+4000)}$$

we obtain:

$$\frac{C_1}{C_2} = 1/2 \quad \longrightarrow \quad C_2 = 2C_1 = \underline{20\mu F}$$

$$\frac{1}{R_1C_1} = 1000 \quad \longrightarrow \quad R_1 = \frac{1}{1000C_1} = \frac{1}{10^3 \times 10 \times 10^{-6}} = \underline{100\Omega}$$

$$\frac{1}{R_2C_2} = 4000 \quad \longrightarrow \quad R_2 = \frac{1}{4000C_2} = \frac{1}{4 \times 10^3 \times 20 \times 10^{-6}} = \underline{12.5\Omega}$$

PROPRIETARY MATERIAL. © 2007 The McGraw-Hill Companies, Inc. All rights reserved. No part of this Manual may be displayed, reproduced or distributed in any form or by any means, without the prior written permission of the publisher, or used beyond the limited distribution to teachers and educators permitted by McGraw-Hill for their individual course preparation. If you are a student using this Manual, you are using it without permission.

Chapter 16, Problem 58.

Realize the transfer function

$$\frac{V_o(s)}{V_s(s)} = \frac{s}{s+10}$$

using the circuit in Fig. 16.78. Let $Y_1 = sC_1$, $Y_2 = 1/R_1$, $Y_3 = sC_2$. Choose $R_1 = 1\text{k}\Omega$ and determine C_1 and C_2 .

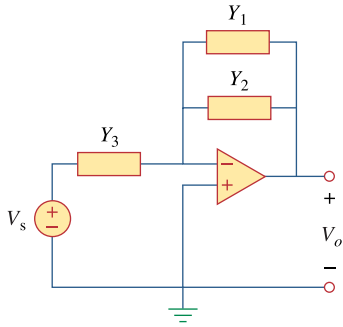


Figure 16.78

For Prob. 16.58.

Chapter 16, Solution 58.

We apply KCL at the noninverting terminal at the op amp.

$$(V_s - 0)Y_3 = (0 - V_o)(Y_1 - Y_2)$$

$$Y_3 V_s = -(Y_1 + Y_2)V_o$$

$$\frac{V_o}{V_s} = \frac{-Y_3}{Y_1 + Y_2}$$

Let $Y_1 = sC_1$, $Y_2 = 1/R_1$, $Y_3 = sC_2$

$$\frac{V_o}{V_s} = \frac{-sC_2}{sC_1 + 1/R_1} = \frac{-sC_2/C_1}{s + 1/R_1 C_1}$$

Comparing this with the given transfer function,

$$\frac{C_2}{C_1} = 1, \quad \frac{1}{R_1 C_1} = 10$$

If $R_1 = 1\text{k}\Omega$,

$$C_1 = C_2 = \frac{1}{10^4} = \underline{\underline{100\ \mu\text{F}}}$$

Chapter 16, Problem 59.

Synthesize the transfer function

$$\frac{V_o(s)}{V_{in}(s)} = \frac{10^6}{s^2 + 100s + 10^6}$$

using the topology of Fig. 16.79. Let $Y_1 = 1/R_1$, $Y_2 = 1/R_2$, $Y_3 = sC_1$, $Y_4 = sC_2$. Choose $R_1 = 1\text{k}\Omega$ and determine C_1 , C_2 , and R_2 .

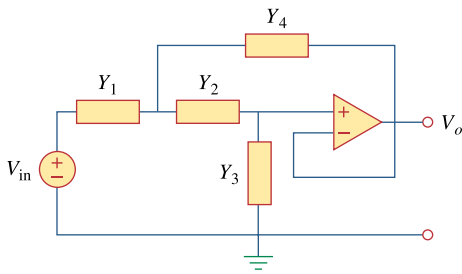
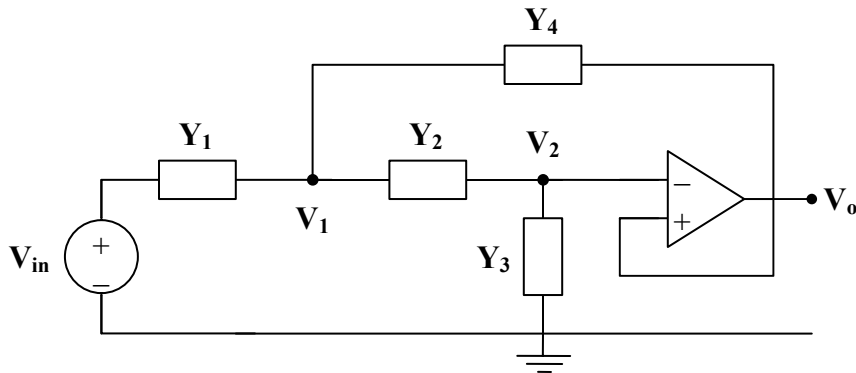


Figure 16.79
For Prob. 16.59.

Chapter 16, Solution 59.

Consider the circuit shown below. We notice that $V_3 = V_o$ and $V_2 = V_3 = V_o$.



At node 1,

$$\begin{aligned}(V_{in} - V_1) Y_1 &= (V_1 - V_o) Y_2 + (V_1 - V_o) Y_4 \\ V_{in} Y_1 &= V_1(Y_1 + Y_2 + Y_4) - V_o(Y_2 + Y_4)\end{aligned}\quad (1)$$

At node 2,

$$\begin{aligned}(V_1 - V_o) Y_2 &= (V_o - 0) Y_3 \\ V_1 Y_2 &= (Y_2 + Y_3) V_o \\ V_1 &= \frac{Y_2 + Y_3}{Y_2} V_o\end{aligned}\quad (2)$$

Substituting (2) into (1),

$$\begin{aligned}V_{in} Y_1 &= \frac{Y_2 + Y_3}{Y_2} \cdot (Y_1 + Y_2 + Y_4) V_o - V_o(Y_2 + Y_4) \\ V_{in} Y_1 Y_2 &= V_o(Y_1 Y_2 + Y_2^2 + Y_2 Y_4 + Y_1 Y_3 + Y_2 Y_3 + Y_3 Y_4 - Y_2^2 - Y_2 Y_4) \\ \frac{V_o}{V_{in}} &= \frac{Y_1 Y_2}{Y_1 Y_2 + Y_1 Y_3 + Y_2 Y_3 + Y_3 Y_4}\end{aligned}$$

Y_1 and Y_2 must be resistive, while Y_3 and Y_4 must be capacitive.

$$\text{Let } Y_1 = \frac{1}{R_1}, \quad Y_2 = \frac{1}{R_2}, \quad Y_3 = sC_1, \quad Y_4 = sC_2$$

$$\begin{aligned}\frac{V_o}{V_{in}} &= \frac{\frac{1}{R_1 R_2}}{\frac{1}{R_1 R_2} + \frac{sC_1}{R_1} + \frac{sC_1}{R_2} + s^2 C_1 C_2} \\ \frac{V_o}{V_{in}} &= \frac{1}{R_1 R_2 C_1 C_2} \cdot \frac{1}{s^2 + s \cdot \left(\frac{R_1 + R_2}{R_1 R_2 C_2} \right) + \frac{1}{R_1 R_2 C_1 C_2}}\end{aligned}$$

Choose $R_1 = 1 \text{ k}\Omega$, then

$$\frac{1}{R_1 R_2 C_1 C_2} = 10^6 \quad \text{and} \quad \frac{R_1 + R_2}{R_1 R_2 C_2} = 100$$

We have three equations and four unknowns. Thus, there is a family of solutions. One such solution is

$$R_2 = \underline{\underline{1 \text{ k}\Omega}}, \quad C_1 = \underline{\underline{50 \text{ nF}}}, \quad C_2 = \underline{\underline{20 \text{ }\mu\text{F}}}$$

PROPRIETARY MATERIAL. © 2007 The McGraw-Hill Companies, Inc. All rights reserved. No part of this Manual may be displayed, reproduced or distributed in any form or by any means, without the prior written permission of the publisher, or used beyond the limited distribution to teachers and educators permitted by McGraw-Hill for their individual course preparation. If you are a student using this Manual, you are using it without permission.

Chapter 16, Problem 60.

Obtain the transfer function of the op amp circuit in Fig. 16.80 in the form of

$$\frac{V_o(s)}{V_i(s)} = \frac{as}{s^2 + bs + c}$$

where a , b , and c are constants. Determine the constants.

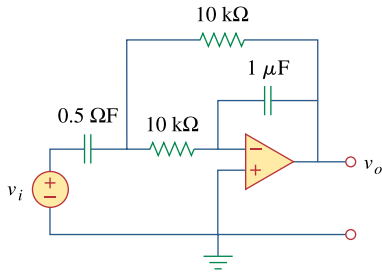
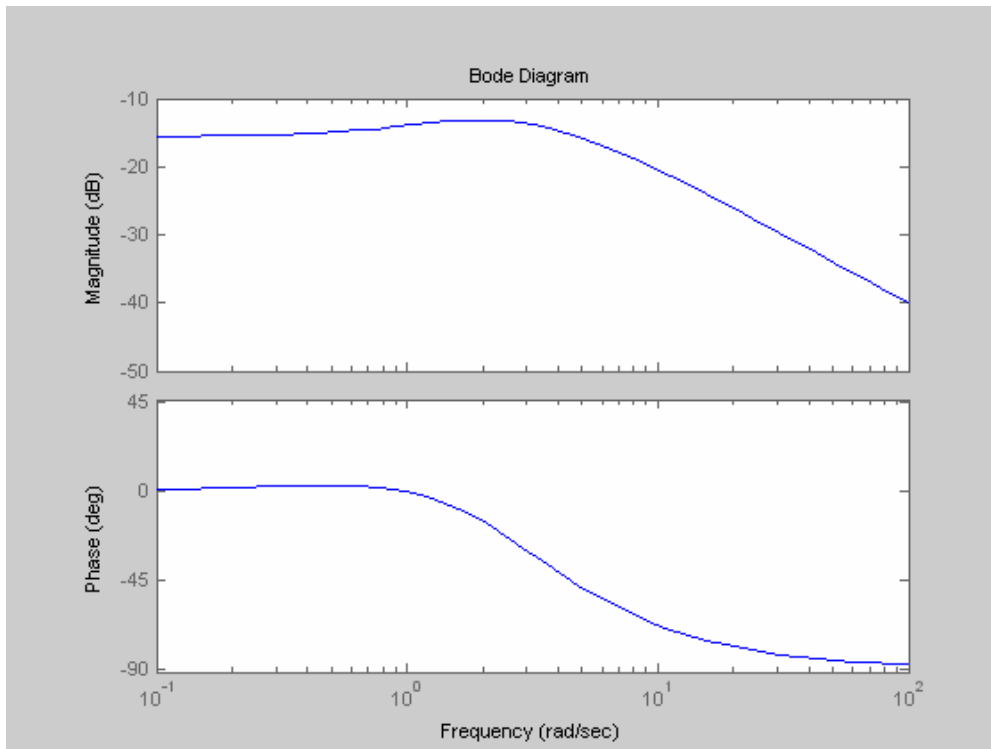


Figure 16.80
For Prob. 16.67.

Chapter 16, Solution 60.

With the following MATLAB codes, the Bode plots are generated as shown below.

```
num=[1 1];  
den= [1 5 6];  
bode(num,den);
```



PROPRIETARY MATERIAL. © 2007 The McGraw-Hill Companies, Inc. All rights reserved. No part of this Manual may be displayed, reproduced or distributed in any form or by any means, without the prior written permission of the publisher, or used beyond the limited distribution to teachers and educators permitted by McGraw-Hill for their individual course preparation. If you are a student using this Manual, you are using it without permission.

Chapter 16, Problem 61.

A certain network has an input admittance $Y(s)$. The admittance has a pole at $s = -3$, a zero at $s = -1$, and $Y(\infty) = 0.25 \text{ S}$.

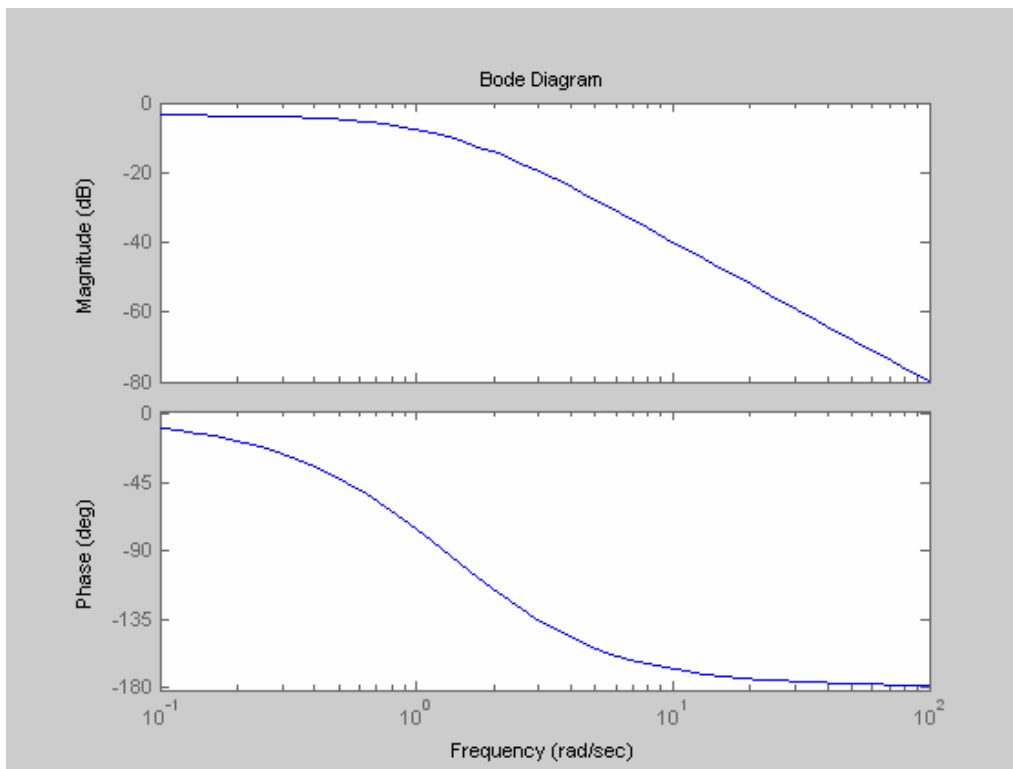
(a) Find $Y(s)$.

(b) An 8-V battery is connected to the network via a switch. If the switch is closed at $t = 0$, find the current $i(t)$ through $Y(s)$ using the Laplace transform.

Chapter 16, Solution 61.

We use the following codes to obtain the Bode plots below.

```
num=[1 4];  
den= [1 6 11 6];  
bode(num,den);
```



PROPRIETARY MATERIAL. © 2007 The McGraw-Hill Companies, Inc. All rights reserved. No part of this Manual may be displayed, reproduced or distributed in any form or by any means, without the prior written permission of the publisher, or used beyond the limited distribution to teachers and educators permitted by McGraw-Hill for their individual course preparation. If you are a student using this Manual, you are using it without permission.

Chapter 16, Problem 62.

e2d

A gyrator is a device for simulating an inductor in a network. A basic gyrator circuit is shown in Fig. 16.81. By finding $V_i(s)/I_o(s)$, show that the inductance produced by the gyrator is $L = CR^2$.

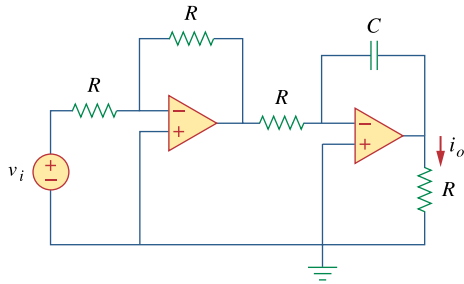


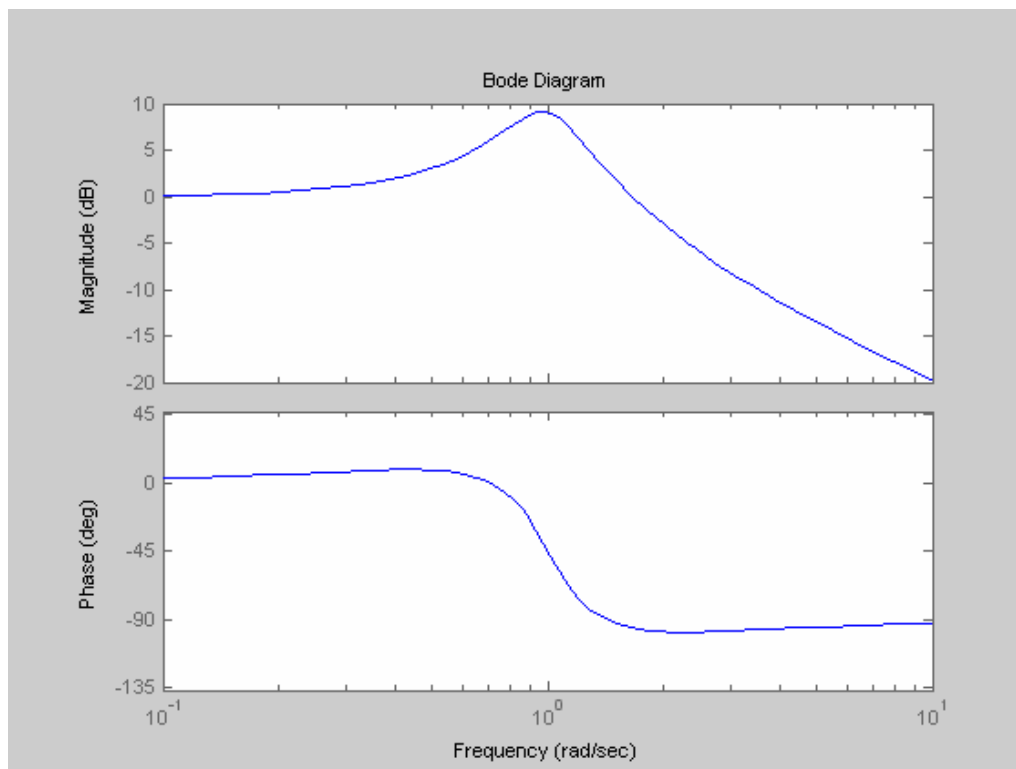
Figure 16.81

For Prob. 16.69.

Chapter 16, Solution 62.

The following codes are used to obtain the Bode plots below.

```
num=[1 1];  
den= [1 0.5 1];  
bode(num,den);
```



PROPRIETARY MATERIAL. © 2007 The McGraw-Hill Companies, Inc. All rights reserved. No part of this Manual may be displayed, reproduced or distributed in any form or by any means, without the prior written permission of the publisher, or used beyond the limited distribution to teachers and educators permitted by McGraw-Hill for their individual course preparation. If you are a student using this Manual, you are using it without permission.